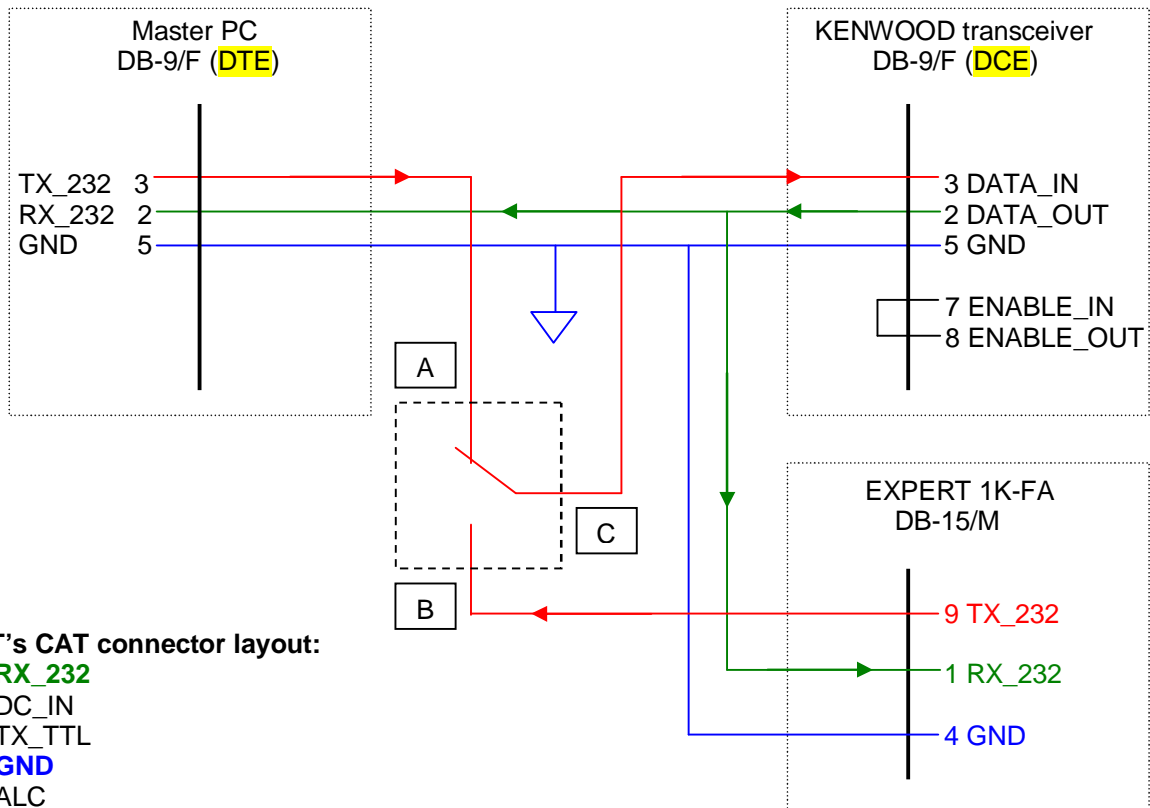
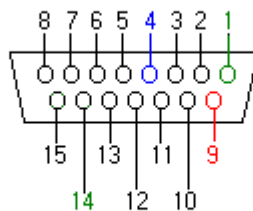


**Connection cable:**

- Master PC vs. KENWOOD with EXPERT (RX only)


**EXPERT's CAT connector layout:**

1. RX\_232
2. DC\_IN
3. TX\_TTL
4. GND
5. ALC
6. YAESU BAND\_A
7. YAESU BAND\_C
8. REMOTE\_ON
9. TX\_232
10. RX\_TTL/CI\_V
11. KEN\_TTL
12. RELAY (PTT)
13. TX\_INHIBIT
14. YAESU BAND\_B
15. YAESU BAND\_D



DB-15/M CONNECTOR (SOLDER SIDE VIEW)