

GENRE : A M A

MODEL : **TS-2000/X, TS-B2000**

SUBJECT : **Modulation output delays about 2 seconds toward PKD input signal**

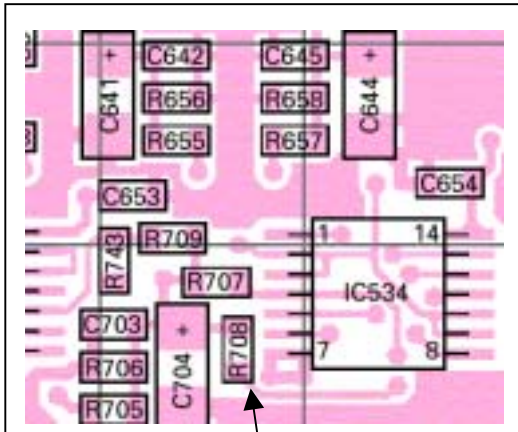
<SYMPTOM>

When TX is done with using ACC2 PKS terminal, modulation output delays about 2 seconds toward PKD input signal.

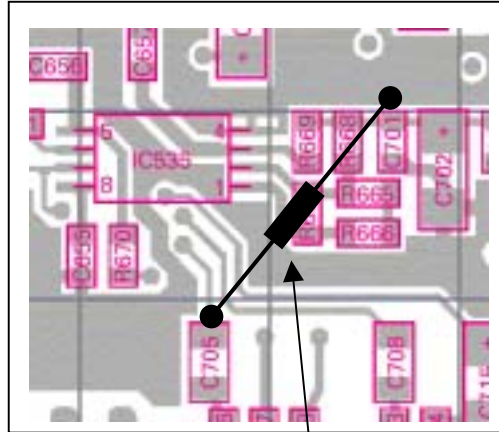
<COUNTERMEASURE>

Modification of the circuit, main CPU program and DSP1 program.

1. Take off the resistor **R708**
2. Attach the resistor **RD14BB2C473J** between C701 and C705.



X53-391 Control unit / Component side view
Take off the R708



X53-391 Control unit / Foil side view
Attach the RD14BB2C473J between C701 and C705.

WRITER	H.Masuda	APPROVED	N.Kondo
--------	-----------------	----------	----------------

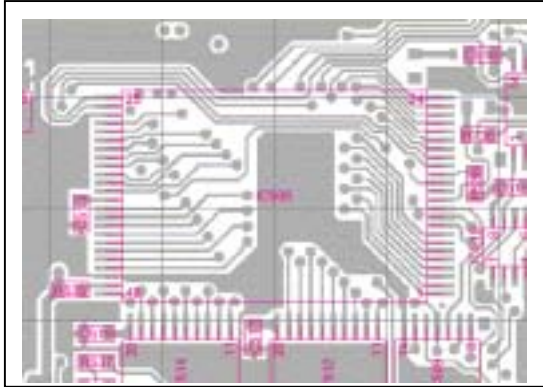
C A U S E : Firmware problem

Repair code	A(S): 35	B: X53-391	C(P): R708	D(C): 91
Index code	Information	1: 1	2: 5	Symptom
Parts stock	<input checked="" type="checkbox"/> Yes 3,531pcs	<input type="checkbox"/> No	Availability	M D
Prod. change	Lot #C38003~	S/No. 309xxxx~		
Application	<input type="checkbox"/> All repair units	<input checked="" type="checkbox"/> Defectives only	<input type="checkbox"/> Refurbish	KPC M.Abe
Distribution	<input checked="" type="checkbox"/> KSJ	<input checked="" type="checkbox"/> Subsidiary Sales	<input type="checkbox"/> General Agent	<input type="checkbox"/> CSC
	<input type="checkbox"/> Sales&Marketing Group	<input checked="" type="checkbox"/> KPC	<input type="checkbox"/> Show Room	

Information : 1:Countermeasure, 2:Parts, 3:S/M, 4:Noise(Car only), 5:Repair, 6:Genuine(Car), 7:Micro-com/software, 8:I/M, 9:etc.
Symptom : Symptom code of Repair Code List.

3. Exchange the IC508 (compatible parts).

29LV800BAJXQD or 29LV800BJWFD → **29LV800BAJXQE or 29LV800BJWFE.**



IC508 X53-391 Control unit / Foil side view

4. Update the main CPU firmware to **TS2000_MAIN_KE_SH01_REL08_8BD6.mot** with writing software W05-0855-00 (FWS for 2000).

note : After modifications, there is no necessity of adjustment.

