

MAIN Unit

REF	DESCRIPTION	VALUE	V/W	TOL.	MFR'S DESIG	VXSTD P/N	VERS.	LOT	SIDE	LAY ADR
C 1403	CHIP CAP.	0.022uF	25V	B	GRM39B223K25PT	K22144807		1-	A	A2
C 1404	AL.ELECTRO.CAP.	2200uF	16V		RE3-16V222M 2200UF	K40129064		1-	B	f1
C 1405	CHIP CAP.	0.47uF	25V	B	GRM40B474K25PT	K22140824		1-	A	B1
C 1406	CHIP CAP.	100pF	50V	CH	GRM36CH101J50PT	K22178236		1-	A	B1
C 1407	CHIP CAP.	0.1uF	10V	B	GRM36B104K10PT	K22108802		1-	B	f1
C 1408	CHIP CAP.	0.001uF	50V	B	GRM36B102K50PT	K22178809		1-	B	f3
C 1409	CHIP TA.CAP.	10uF	10V		TEMSVA1A106M-8R	K78100028		1-	B	f3
C 1410	CHIP CAP.	0.001uF	50V	B	GRM36B102K50PT	K22178809		1-	B	g4
C 1411	CHIP CAP.	0.001uF	50V	B	GRM36B102K50PT	K22178809		1-	B	g4
C 1412	CHIP CAP.	0.1uF	10V	B	GRM36B104K10PT	K22108802		1-	B	f3
C 1413	CHIP CAP.	0.01uF	16V	B	GRM36B103K16PT	K22128804		1-	B	g3
C 1414	CHIP CAP.	0.01uF	16V	B	GRM36B103K16PT	K22128804		1-	B	f3
C 1415	AL.ELECTRO.CAP.	100uF	16V		16V101M6X7TR2	K46120007		1-	A	A3
C 1416	CHIP CAP.	0.1uF	10V	B	GRM36B104K10PT	K22108802		1-	B	g4
C 1417	CHIP CAP.	22pF	50V	CH	GRM36CH220J50PT	K22178220		1-	B	f5
C 1418	CHIP CAP.	3pF	50V	CJ	GRM36CJ030B50PT	K22178290		1-	B	f5
C 1419	CHIP CAP.	10pF	50V	CH	GRM36CH100D50PT	K22178212		1-	B	f5
C 1420	CHIP CAP.	0.001uF	50V	B	GRM36B102K50PT	K22178809		1-	B	f5
C 1421	CHIP CAP.	22pF	50V	CH	GRM36CH220J50PT	K22178220		1-	A	A4
C 1422	CHIP CAP.	0.1uF	10V	B	GRM36B104K10PT	K22108802		1-	A	A4
C 1423	CHIP CAP.	0.001uF	50V	B	GRM36B102K50PT	K22178809		1-	A	A4
C 1424	CHIP CAP.	0.001uF	50V	B	GRM36B102K50PT	K22178809		1-	A	A4
C 1425	CHIP CAP.	39pF	50V	CH	GRM36CH390J50PT	K22178226		1-	A	A4
C 1426	CHIP CAP.	0.001uF	50V	B	GRM36B102K50PT	K22178809		1-	A	A4
C 1427	CHIP CAP.	0.1uF	10V	B	GRM36B104K10PT	K22108802		1-	A	A4
C 1428	CHIP CAP.	0.0047uF	25V	B	GRM36B472K25PT	K22148830		1-	B	f5
C 1429	CHIP CAP.	0.001uF	50V	B	GRM36B102K50PT	K22178809		1-	A	B4
C 1430	CHIP CAP.	100pF	50V	CH	GRM36CH101J50PT	K22178236		1-	A	A4
C 1431	CHIP CAP.	1uF	10V	F	GRM39F105Z10PT	K22105001		1-	A	B4
C 1433	CHIP TA.CAP.	10uF	10V		TEMSVA1A106M-8R	K78100028		1-	A	F5
C 1434	CHIP TA.CAP.	10uF	10V		TEMSVA1A106M-8R	K78100028		1-	A	D4
C 1436	CHIP TA.CAP.	10uF	10V		TEMSVA1A106M-8R	K78100028		1-	A	F5
C 1438	CHIP TA.CAP.	10uF	10V		TEMSVA1A106M-8R	K78100028		1-	A	D4
C 1439	CHIP CAP.	0.001uF	50V	B	GRM36B102K50PT	K22178809		1-	B	a5
C 1440	CHIP CAP.	0.001uF	50V	B	GRM36B102K50PT	K22178809		1-	B	f5
C 1441	CHIP TA.CAP.	10uF	10V		TEMSVA1A106M-8R	K78100028		1-	B	f5
C 1442	CHIP CAP.	0.001uF	50V	B	GRM36B102K50PT	K22178809		1-	B	f5
C 1443	CHIP CAP.	0.001uF	50V	B	GRM36B102K50PT	K22178809		1-	A	B3
C 1445	CHIP CAP.	39pF	50V	CH	GRM36CH390J50PT	K22178226		1-	A	D5
C 1446	CHIP CAP.	0.001uF	50V	B	GRM36B102K50PT	K22178809		1-	A	D5
C 1447	CHIP CAP.	0.75pF	50V	CK	GRM36CKR75B50PT	K22178286		1-	A	D5
C 1448	CHIP CAP.	0.022uF	16V	B	GRM36B223K16PT	K22128806		1-	B	f5
C 1449	CHIP CAP.	1uF	10V	B	GRM40B105K10PT(0.85)	K22100803		1-	B	e5
C 1450	CHIP CAP.	33pF	50V	CH	GRM36CH330J50PT	K22178224		1-	A	C4
C 1451	CHIP CAP.	0.01uF	16V	B	GRM36B103K16PT	K22128804		1-	B	e4
C 1452	CHIP CAP.	33pF	50V	CH	GRM36CH330J50PT	K22178224		1-	A	C5
C 1453	CHIP CAP.	33pF	50V	CH	GRM36CH330J50PT	K22178224		1-	A	C5
C 1454	CHIP CAP.	47pF	50V	UJ	GRP1553U1H470JZ01E	K22178319		1-	B	d4
C 1455	CHIP CAP.	6pF	50V	UJ	GRP1553U1H6R0DZ01E	K22178307		1-	B	d4
C 1456	CHIP CAP.	0.01uF	16V	B	GRM36B103K16PT	K22128804		1-	A	C4
C 1457	CHIP CAP.	0.047uF	10V	B	GRM36B473K10PT	K22108801		1-	A	C4
C 1458	CHIP TA.CAP.	10uF	10V		TEMSVA1A106M-8R	K78100028		1-	A	C4
C 1459	CHIP CAP.	0.001uF	50V	B	GRM39B102K50PT	K22174821		1-	A	C4
C 1460	CHIP CAP.	1uF	10V	B	GRM40B105K10PT(0.85)	K22100803		1-	B	e5
C 1461	CHIP CAP.	0.01uF	16V	B	GRM36B103K16PT	K22128804		1-	B	d5
C 1462	CHIP CAP.	100pF	50V	UJ	GRP1553U1H101JZ01E	K22178323		1-	B	e4
C 1463	CHIP CAP.	0.01uF	16V	B	GRM36B103K16PT	K22128804		1-	B	d5
C 1464	CHIP CAP.	27pF	50V	UJ	GRP1553U1H270JZ01E	K22178316		1-	B	d5
C 1465	CHIP CAP.	3pF	50V	UJ	GRP1553U1H3R0CZ01E	K22178304		1-	B	d4
C 1466	CHIP CAP.	270pF	25V	CH	GRM36CH271J25PT	K22148248		1-	B	d4
C 1467	CHIP CAP.	0.001uF	50V	B	GRM36B102K50PT	K22178809		1-	B	d4
C 1468	CHIP CAP.	0.001uF	50V	B	GRM36B102K50PT	K22178809		1-	A	C4
C 1469	CHIP CAP.	0.022uF	16V	B	GRM36B223K16PT	K22128806		1-	A	C4
C 1470	CHIP CAP.	0.1uF	16V	B	GRM39B104K16PT	K22124805		1-	A	C4
C 1471	CHIP TA.CAP.	10uF	10V		TEMSVA1A106M-8R	K78100028		1-	A	C4
C 1472	CHIP CAP.	0.1uF	16V	B	GRM39B104K16PT	K22124805		1-	A	C4
C 1473	CHIP CAP.	0.1uF	10V	B	GRM36B104K10PT	K22108802		1-	A	C4
C 1474	CHIP TA.CAP.	0.1uF	20V		SKF-1D104M-RP	K78130049		1-	A	E5
C 1475	CHIP CAP.	0.1uF	16V	B	GRM39B104K16PT	K22124805		1-	A	E5
C 1476	CHIP TA.CAP.	10uF	10V		TEMSVA1A106M-8R	K78100028		1-	A	E5
C 1477	CHIP CAP.	0.1uF	16V	B	GRM39B104K16PT	K22124805		1-	A	E5
C 1478	CHIP CAP.	0.022uF	16V	B	GRM36B223K16PT	K22128806		1-	A	E5
C 1479	CHIP CAP.	33pF	50V	CH	GRM36CH330J50PT	K22178224		1-	A	C5
C 1480	CHIP CAP.	0.001uF	50V	B	GRM36B102K50PT	K22178809		1-	A	D5
C 1481	CHIP CAP.	0.01uF	16V	B	GRM36B103K16PT	K22128804		1-	A	D5
C 1482	CHIP CAP.	0.047uF	10V	B	GRM36B473K10PT	K22108801		1-	A	D5
C 1483	CHIP TA.CAP.	10uF	10V		TEMSVA1A106M-8R	K78100028		1-	A	E5

REF	DESCRIPTION	VALUE	V/W	TOL.	MFR'S DESIG	VXSTD P/N	VERS.	LOT	SIDE	LAY ADR
C 1484	CHIP CAP.	0.001uF	50V	B	GRM39B102K50PT	K22174821		1-	A	D5
C 1485	CHIP CAP.	6pF	50V	UJ	GRP1553U1H6R0DZ01E	K22178307		1-	B	c5
C 1486	CHIP CAP.	47pF	50V	UJ	GRP1553U1H470JZ01E	K22178319		1-	B	c5
C 1487	CHIP CAP.	0.001uF	50V	B	GRM36B102K50PT	K22178809		1-	B	c5
C 1489	CHIP CAP.	100pF	50V	CH	GRM36CH101J50PT	K22178236		1-	B	c5
C 1490	CHIP CAP.	8pF	50V	UJ	GRP1553U1H8R0DZ01E	K22178309		1-	B	c5
C 1491	CHIP CAP.	4pF	50V	UJ	GRP1553U1H4R0CZ01E	K22178305		1-	B	c5
C 1492	CHIP CAP.	100pF	50V	CH	GRM36CH101J50PT	K22178236		1-	B	c5
C 1493	CHIP CAP.	0.1uF	10V	B	GRM36B104K10PT	K22108802		1-	A	D5
C 1494	CHIP CAP.	0.001uF	50V	B	GRM36B102K50PT	K22178809		1-	B	c5
C 1495	CHIP TA.CAP.	10uF	10V		TEMSVA1A106M-8R	K78100028		1-	A	D4
C 1496	CHIP CAP.	0.1uF	10V	B	GRM36B104K10PT	K22108802		1-	B	d4
C 1497	CHIP CAP.	0.001uF	50V	B	GRM36B102K50PT	K22178809		1-	A	A4
C 1498	CHIP CAP.	0.001uF	50V	B	GRM36B102K50PT	K22178809		1-	A	D4
C 1499	CHIP CAP.	0.001uF	50V	B	GRM36B102K50PT	K22178809		1-	B	d4
C 1500	CHIP CAP.	0.001uF	50V	B	GRM36B102K50PT	K22178809		1-	B	d4
C 1501	CHIP CAP.	0.001uF	50V	B	GRM36B102K50PT	K22178809		1-	B	d4
C 1502	CHIP CAP.	0.001uF	50V	B	GRM39B102K50PT	K22174821		1-	B	d4
C 1503	CHIP CAP.	20pF	50V	CH	GRM36CH200J50PT	K22178219		1-	B	d4
C 1504	CHIP CAP.	18pF	50V	CH	GRM36CH180J50PT	K22178218		1-	B	d4
C 1505	CHIP CAP.	10pF	50V	CH	GRM36CH100D50PT	K22178212		1-	B	d4
C 1506	CHIP CAP.	1pF	50V	CK	GRM36CK010B50PT	K22178287		1-	B	d4
C 1507	CHIP CAP.	0.001uF	50V	B	GRM36B102K50PT	K22178809		1-	B	d4
C 1508	CHIP CAP.	0.001uF	50V	B	GRM36B102K50PT	K22178809		1-	B	d4
C 1509	CHIP CAP.	3pF	50V	CJ	GRM36CJ030B50PT	K22178290		1-	A	C4
C 1510	CHIP CAP.	0.001uF	50V	B	GRM36B102K50PT	K22178809		1-	A	C4
C 1511	CHIP CAP.	0.001uF	50V	B	GRM36B102K50PT	K22178809		1-	B	d4
C 1512	CHIP TA.CAP.	0.1uF	20V		SKF-1D104M-RP	K78130049		1-	A	C4
C 1513	CHIP CAP.	150pF	50V	CH	GRM39CH151J50PT	K22174239		1-	A	C4
C 1514	CHIP CAP.	0.001uF	50V	B	GRM36B102K50PT	K22178809		1-	B	d4
C 1515	CHIP CAP.	0.001uF	50V	B	GRM36B102K50PT	K22178809		1-	B	d4
C 1516	CHIP CAP.	0.001uF	50V	B	GRM36B102K50PT	K22178809		1-	A	D4
C 1517	CHIP CAP.	0.001uF	50V	B	GRM39B102K50PT	K22174821		1-	B	d4
C 1518	CHIP CAP.	47pF	50V	CH	GRM36CH470J50PT	K22178228		1-	B	d4
C 1519	CHIP CAP.	22pF	50V	CH	GRM36CH220J50PT	K22178220		1-	B	d4
C 1520	CHIP CAP.	18pF	50V	CH	GRM36CH180J50PT	K22178218		1-	B	d4
C 1521	CHIP CAP.	2pF	50V	CK	GRM36CK020B50PT	K22178289		1-	B	d4
C 1522	CHIP CAP.	0.001uF	50V	B	GRM36B102K50PT	K22178809		1-	A	D4
C 1523	CHIP CAP.	0.001uF	50V	B	GRM36B102K50PT	K22178809		1-	B	d4
C 1524	CHIP CAP.	2pF	50V	CK	GRM36CK020B50PT	K22178289		1-	A	C4
C 1525	CHIP CAP.	0.001uF	50V	B	GRM36B102K50PT	K22178809		1-	B	c4
C 1526	CHIP CAP.	0.001uF	50V	B	GRM36B102K50PT	K22178809		1-	B	c5
C 1527	CHIP CAP.	0.001uF	50V	B	GRM39B102K50PT	K22174821		1-	B	c5
C 1528	CHIP CAP.	18pF	50V	CH	GRM36CH180J50PT	K22178218		1-	B	c4
C 1529	CHIP CAP.	18pF	50V	CH	GRM36CH180J50PT	K22178218		1-	B	c5
C 1530	CHIP CAP.	10pF	50V	CH	GRM36CH100D50PT	K22178212		1-	B	c5
C 1531	CHIP CAP.	1pF	50V	CK	GRM36CK010B50PT	K22178287		1-	B	c5
C 1532	CHIP CAP.	0.001uF	50V	B	GRM36B102K50PT	K22178809		1-	B	a5
C 1533	CHIP CAP.	0.001uF	50V	B	GRM36B102K50PT	K22178809		1-	B	b4
C 1534	CHIP CAP.	2pF	50V	CK	GRM36CK020B50PT	K22178289		1-	A	E4
C 1535	CHIP CAP.	0.001uF	50V	B	GRM36B102K50PT	K22178809		1-	B	c4
C 1536	CHIP CAP.	0.001uF	50V	B	GRM39B102K50PT	K22174821		1-	B	c4
C 1537	CHIP CAP.	47pF	50V	CH	GRM36CH470J50PT	K22178228		1-	B	c4
C 1538	CHIP CAP.	20pF	50V	CH	GRM36CH200J50PT	K22178219		1-	B	c4
C 1540	CHIP CAP.	18pF	50V	CH	GRM36CH180J50PT	K22178218		1-	B	c4
C 1541	CHIP CAP.	2pF	50V	CK	GRM36CK020B50PT	K22178289		1-	B	c4
C 1542	CHIP CAP.	0.001uF	50V	B	GRM36B102K50PT	K22178809		1-	A	E4
C 1543	CHIP CAP.	0.001uF	50V	B	GRM36B102K50PT	K22178809		1-	B	b4
C 1544	CHIP CAP.	1.5pF	50V	CK	GRM36CK1R5B50PT	K22178288		1-	A	E5
C 1545	CHIP CAP.	0.001uF	50V	B	GRM36B102K50PT	K22178809		1-	A	D4
C 1546	CHIP CAP.	0.001uF	50V	B	GRM36B102K50PT	K22178809		1-	B	f3
C 1547	CHIP CAP.	0.001uF	50V	B	GRM36B102K50PT	K22178809		1-	B	e3
C 1548	CHIP CAP.	0.1uF	10V	B	GRM36B104K10PT	K22108802		1-	B	e3
C 1549	CHIP CAP.	0.001uF	50V	B	GRM36B102K50PT	K22178809		1-	B	e3
C 1550	CHIP TA.CAP.	10uF	10V		TEMSVA1A106M-8R	K78100028		1-	B	e3
C 1551	CHIP CAP.	0.047uF	10V	B	GRM36B473K10PT	K22108801		1-	B	e3
C 1552	CHIP CAP.	0.001uF	50V	B	GRM36B102K50PT	K22178809		1-	B	e3
C 1554	CHIP CAP.	0.001uF	50V	B	GRM36B102K50PT	K22178809		1-	B	d3
C 1555	CHIP CAP.	0.001uF	50V	B	GRM36B102K50PT	K22178809		1-	B	d3
C 1556	CHIP CAP.	0.001uF	50V	B	GRM36B102K50PT	K22178809		1-	A	C3
C 1558	CHIP CAP.	0.001uF	50V	B	GRM36B102K50PT	K22178809		1-	A	D3
C 1559	CHIP CAP.	7pF	50V	CH	GRM36CH070B50PT	K22178294		1-	B	d3
C 1560	CHIP CAP.	0.001uF	50V	B	GRM36B102K50PT	K22178809		1-	B	d3
C 1561	CHIP TA.CAP.	22uF	16V		TEMSVB21C226M-8R	K78120028		1-	B	c3
C 1562	CHIP CAP.	0.001uF	50V	B	GRM36B102K50PT	K22178809		1-	B	d3
C 1563	CHIP CAP.	100pF	50V	CH	GRM36CH101J50PT	K22178236		1-	B	d3
C 1564	CHIP CAP.	18pF	50V	CH	GRM36CH180J50PT	K22178218		1-	A	C3

MAIN Unit

REF	DESCRIPTION	VALUE	V/W	TOL.	MFR'S DESIG	VXSTD P/N	VERS.	LOT	SIDE	LAY ADR
C 1565	CHIP CAP.	0.01uF	16V	B	GRM36B103K16PT	K22128804		1-	B	e3
C 1566	CHIP CAP.	0.47uF	25V	B	GRM40B474K25PT	K22140824		1-	B	d3
C 1567	CHIP CAP.	0.022uF	25V	B	GRM39B223K25PT	K22144807		1-	B	d3
C 1568	CHIP CAP.	0.001uF	50V	B	GRM36B102K50PT	K22178809		1-	B	d3
C 1569	CHIP CAP.	8pF	50V	CH	GRM36CH080B50PT	K22178295		1-	A	C3
C 1570	CHIP CAP.	8pF	50V	CH	GRM36CH080B50PT	K22178295		1-	A	C3
C 1571	CHIP CAP.	68pF	50V	CH	GRM36CH680J50PT	K22178232		1-	A	C3
C 1572	CHIP CAP.	82pF	50V	CH	GRM36CH820J50PT	K22178234		1-	A	C3
C 1573	CHIP CAP.	0.001uF	50V	B	GRM36B102K50PT	K22178809		1-	A	C2
C 1574	CHIP CAP.	0.1uF	16V	B	GRM39B104K16PT	K22124805		1-	A	C3
C 1575	CHIP CAP.	0.001uF	50V	B	GRM36B102K50PT	K22178809		1-	A	C3
C 1576	CHIP CAP.	0.001uF	50V	B	GRM36B102K50PT	K22178809		1-	A	D3
C 1577	CHIP CAP.	0.1uF	16V	B	GRM39B104K16PT	K22124805		1-	A	D3
C 1578	CHIP CAP.	0.001uF	50V	B	GRM36B102K50PT	K22178809		1-	B	d3
C 1579	CHIP CAP.	0.1uF	16V	B	GRM39B104K16PT	K22124805		1-	B	d3
C 1580	CHIP CAP.	0.001uF	50V	B	GRM36B102K50PT	K22178809		1-	B	d2
C 1581	CHIP CAP.	0.47uF	25V	B	GRM40B474K25PT	K22140824		1-	A	B3
C 1582	CHIP CAP.	0.001uF	50V	B	GRM39B102K50PT	K22174821		1-	A	B3
C 1583	CHIP CAP.	0.022uF	25V	B	GRM39B223K25PT	K22144807		1-	A	C3
C 1584	CHIP CAP.	0.001uF	50V	B	GRM39B102K50PT	K22174821		1-	A	C3
C 1585	CHIP CAP.	0.47uF	25V	B	GRM40B474K25PT	K22140824		1-	A	B3
C 1586	CHIP CAP.	18pF	50V	CH	GRM39CH180J50PT	K22174217		1-	A	C2
C 1587	CHIP CAP.	10pF	50V	CH	GRM39CH100D50PT	K22174211		1-	A	C2
C 1588	CHIP CAP.	39pF	50V	CH	GRM39CH390J50PT	K22174225		1-	A	C2
C 1589	CHIP CAP.	0.1uF	16V	B	GRM39B104K16PT	K22124805		1-	B	e2
C 1590	CHIP CAP.	0.001uF	50V	B	GRM36B102K50PT	K22178809		1-	B	e2
C 1591	CHIP CAP.	33pF	50V	CH	GRM39CH330J50PT	K22174223		1-	A	C2
C 1592	CHIP CAP.	0.1uF	16V	B	GRM39B104K16PT	K22124805		1-	B	e2
C 1593	CHIP CAP.	33pF	50V	CH	GRM39CH330J50PT	K22174223		1-	A	B2
C 1594	CHIP CAP.	15pF	50V	CH	GRM39CH150J50PT	K22174215		1-	A	B2
C 1595	CHIP CAP.	22pF	50V	CH	GRM39CH220J50PT	K22174219		1-	A	C2
C 1596	CHIP CAP.	10pF	50V	CH	GRM36CH100D50PT	K22178212		1-	A	C2
C 1598	CHIP CAP.	150pF	50V	CH	GRM39CH151J50PT	K22174239		1-	A	C2
C 1599	FILM CAP.	47pF	500V		UC232H0470J-T	K33279034		1-	A	C2
C 1600	CHIP CAP.	15pF	50V	CH	GRM39CH150J50PT	K22174215		1-	A	C1
C 1601	CHIP CAP.	0.1uF	16V	B	GRM39B104K16PT	K22124805		1-	B	e1
C 1602	CHIP CAP.	0.001uF	50V	B	GRM39B102K50PT	K22174821		1-	B	e1
C 1603	FILM CAP.	47pF	500V		UC232H0470J-T	K33279034		1-	A	C2
C 1604	FILM CAP.	39pF	500V		UC232H0390J-T	K33279038		1-	A	C1
C 1605	CHIP TA.CAP.	1uF	25V		TEMSVA1E105M-8R	K78140013		1-	B	e1
C 1606	CHIP CAP.	0.47uF	25V	B	GRM40B474K25PT	K22140824		1-	B	d1
C 1607	CHIP CAP.	0.001uF	50V	B	GRM39B102K50PT	K22174821		1-	B	d1
C 1608	CHIP CAP.	100pF	200V	CH	GRM40CH101J200PT	K22230228		1-	B	d1
C 1609	FILM CAP.	47pF	500V		UC232H0470J-T	K33279034		1-	A	D1
C 1610	FILM CAP.	47pF	500V		UC232H0470J-T	K33279034		1-	A	D2
C 1611	CHIP CAP.	0.001uF	50V	B	GRM36B102K50PT	K22178809		1-	B	a3
C 1613	CHIP CAP.	0.001uF	50V	B	GRM39B102K50PT	K22174821		1-	A	D3
C 1614	CHIP CAP.	0.001uF	50V	B	GRM36B102K50PT	K22178809		1-	A	D3
C 1615	CHIP CAP.	0.001uF	50V	B	GRM36B102K50PT	K22178809		1-	A	D2
C 1617	CHIP CAP.	5pF	200V	CH	GRM1882C2D5R0CV01D	K22234207		1-	A	D1
C 1618	FILM CAP.	56pF	500V		UC232H0560J-T	K33279035		1-	A	D1
C 1619	FILM CAP.	56pF	500V		UC232H0560J-T	K33279035		1-	A	D1
C 1620	CHIP CAP.	27pF	200V	CH	GRM40CH270J200PT	K22230221		1-	B	b1
C 1621	CHIP CAP.	27pF	200V	CH	GRM40CH270J200PT	K22230221		1-	B	c1
C 1623	CHIP CAP.	220pF	200V	CH	GRM40CH221J200PT	K22230232		1-	B	b1
C 1624	CHIP CAP.	220pF	200V	CH	GRM40CH221J200PT	K22230232		1-	B	b1
C 1625	CHIP CAP.	0.5pF	200V	CK	GRM1884C2DR50CY21D	K22234201		1-	B	b1
C 1626	CHIP CAP.	22pF	200V	CH	GRM40CH220J200PT	K22230220		1-	B	b1
C 1627	CHIP CAP.	5pF	50V	CH	GRM36CH050B50PT	K22178292		1-	B	b1
C 1628	CHIP CAP.	0.001uF	50V	B	GRM36B102K50PT	K22178809		1-	B	b1
C 1629	CHIP CAP.	22pF	200V	CH	GRM40CH220J200PT	K22230220		1-	B	b1
C 1630	CHIP CAP.	7pF	200V	CH	GRM1882C2D7R0DV01D	K22234209		1-	B	b1
C 1631	CHIP CAP.	22pF	200V	CH	GRM40CH220J200PT	K22230220		1-	B	b1
C 1632	CHIP CAP.	27pF	200V	CH	GRM40CH270J200PT	K22230221		1-	B	a1
C 1633	CHIP CAP.	0.5pF	200V	CK	GRM1884C2DR50CY21D	K22234201		1-	B	a1
C 1634	CHIP CAP.	0.0047uF	25V	B	GRM36B472K25PT	K22148830		1-	B	c2
C 1635	CHIP CAP.	0.001uF	50V	B	GRM36B102K50PT	K22178809		1-	B	a1
C 1636	CHIP CAP.	4pF	50V	CH	GRM36CH040B50PT	K22178291		1-	B	a1
C 1637	CHIP CAP.	0.001uF	50V	B	GRM36B102K50PT	K22178809		1-	A	F2
C 1638	CHIP CAP.	0.01uF	16V	B	GRM36B103K16PT	K22128804		1-	A	F2
C 1639	CHIP CAP.	33pF	50V	CH	GRM36CH330J50PT	K22178224		1-	A	C2
C 1640	CHIP CAP.	56pF	50V	CH	GRM36CH560J50PT	K22178230		1-	A	C2
C 1641	CHIP CAP.	0.001uF	50V	B	GRM36B102K50PT	K22178809		1-	A	B2
C 1642	CHIP CAP.	0.001uF	50V	B	GRM36B102K50PT	K22178809		1-	A	B2
C 1643	CHIP CAP.	0.001uF	50V	B	GRM36B102K50PT	K22178809		1-	B	b2
C 1644	CHIP CAP.	24pF	50V	CH	GRM36CH240J50PT	K22178221		1-	B	b2
C 1645	CHIP CAP.	15pF	50V	CH	GRM36CH150J50PT	K22178216		1-	B	b2

REF	DESCRIPTION	VALUE	V/W	TOL.	MFR'S DESIG	VXSTD P/N	VERS.	LOT	SIDE	LAY ADR
C 1647	CHIP CAP.	18pF	200V	CH	GRM40CH180J200PT	K22230219		1-	B	a2
C 1648	CHIP CAP.	220pF	200V	CH	GRM40CH221J200PT	K22230232		1-	B	a2
C 1649	CHIP CAP.	220pF	200V	CH	GRM40CH221J200PT	K22230232		1-	B	a2
C 1650	CHIP CAP.	15pF	200V	CH	GRM40CH150J200PT	K22230218		1-	B	a2
C 1651	CHIP CAP.	15pF	200V	CH	GRM40CH150J200PT	K22230218		1-	B	a2
C 1652	FILM CAP.	12pF	500V		UC232H0120J-T	K33279020		1-	A	D2
C 1653	CHIP CAP.	100pF	200V	CH	GRM40CH101J200PT	K22230228		1-	A	E2
C 1654	CHIP CAP.	100pF	200V	CH	GRM40CH101J200PT	K22230228		1-	A	E2
C 1657	CHIP CAP.	0.5pF	200V	CK	GRM1884C2DR50CY21D	K22234201		1-	B	c2
C 1658	CHIP CAP.	6pF	50V	CH	GRM36CH060B50PT	K22178293		1-	B	c2
C 1659	CHIP CAP.	0.001uF	50V	B	GRM36B102K50PT	K22178809		1-	B	c2
C 1660	CHIP CAP.	3pF	200V	CJ	GRM1883C2D3R0CV01D	K22234205		1-	A	E2
C 1661	CHIP CAP.	3pF	200V	CJ	GRM1883C2D3R0CV01D	K22234205		1-	A	E2
C 1662	CHIP CAP.	6pF	200V	CH	GRM1882C2D6R0DV01D	K22234208		1-	A	E2
C 1663	CHIP CAP.	0.5pF	200V	CK	GRM1884C2DR50CY21D	K22234201		1-	A	E2
C 1664	CHIP CAP.	0.001uF	50V	B	GRM36B102K50PT	K22178809		1-	A	E2
C 1665	CHIP CAP.	4pF	50V	CH	GRM36CH040B50PT	K22178291		1-	A	E2
C 1666	CHIP CAP.	1.5pF	200V	CK	GRM1884C2D1R5CV01D	K22234213		1-	A	F3
C 1667	CHIP CAP.	3pF	200V	CJ	GRM1883C2D3R0CV01D	K22234205		1-	A	E3
C 1668	CHIP CAP.	4pF	200V	CH	GRM1882C2D4R0CV01D	K22234206		1-	A	F2
C 1669	CHIP CAP.	4pF	200V	CH	GRM1882C2D4R0CV01D	K22234206		1-	A	F2
C 1670	CHIP CAP.	0.5pF	200V	CK	GRM1884C2DR50CY21D	K22234201		1-	A	F3
C 1671	CHIP CAP.	2pF	200V	CK	GRM1884C2D2R0CV01D	K22234204		1-	A	F3
C 1672	CHIP CAP.	2pF	200V	CK	GRM1884C2D2R0CV01D	K22234204		1-	A	F3
C 1673	CHIP CAP.	4pF	200V	CH	GRM1882C2D4R0CV01D	K22234206		1-	A	F3
C 1674	CHIP CAP.	4pF	200V	CH	GRM1882C2D4R0CV01D	K22234206		1-	A	F3
C 1676	CHIP CAP.	0.001uF	50V	B	GRM36B102K50PT	K22178809		1-	B	b5
C 1678	CHIP CAP.	0.001uF	50V	B	GRM36B102K50PT	K22178809		1-	B	b5
C 1680	CHIP CAP.	1uF	10V	F	GRM39F105Z10PT	K22105001		1-	B	f4
C 1681	CHIP CAP.	11pF	50V	CH	GRM39CH110J50PT	K22174212		1-		
C 1688	CHIP CAP.	0.001uF	50V	B	GRM36B102K50PT	K22178809		1-		
CD1001	CERAMIC DISC				CDBM450C24	H7901390		1-	A	B4
CD1002	CERAMIC DISC				CDBM450C24	H7901390		1-	A	C5
CF1001	CERAMIC FILTER				CFWM450E	H3900466		1-	A	B3
CF1002	CERAMIC FILTER				CFWM450G	H3900435		1-	A	B3
CF1003	CERAMIC FILTER				CFWM450E	H3900466		1-	A	C5
CF1004	CERAMIC FILTER				CFWM450G	H3900435		1-	A	D5
D 1001	DIODE				HSC277TRF	G2070584		1-	B	b3
D 1002	DIODE				HSC277TRF	G2070584		1-	B	c3
D 1003	DIODE				HVC131TRF	G2070676		1-	A	E3
D 1004	DIODE				HVC350B-TRF	G2070596		1-	B	c3
D 1005	DIODE				HVC350B-TRF	G2070596		1-	B	c3
D 1006	DIODE				HVC350B-TRF	G2070596		1-	B	c3
D 1007	DIODE				HVC131TRF	G2070676		1-	B	c3
D 1008	DIODE				HVC131TRF	G2070676		1-	B	c3
D 1009	DIODE				HSC277TRF	G2070584		1-	B	b4
D 1010	DIODE				HVC131TRF	G2070676		1-	B	b4
D 1011	DIODE				HVC350B-TRF	G2070596		1-	B	b4
D 1012	DIODE				HVC350B-TRF	G2070596		1-	B	b4
D 1013	DIODE				HVC350B-TRF	G2070596		1-	B	b4
D 1014	DIODE				HVC131TRF	G2070676		1-	A	E5
D 1015	DIODE				HSC277TRF	G2070584		1-	B	b5
D 1017	DIODE				HVC365 TRF	G2070902		1-	B	c4
D 1018	DIODE				HVC365 TRF	G2070902		1-	B	c4
D 1019	DIODE				HVC365 TRF	G2070902		1-	B	c4
D 1020	DIODE				HVC365 TRF	G2070902		1-	B	a4
D 1021	DIODE				HVC365 TRF	G2070902		1-	B	a4
D 1022	DIODE				HVC365 TRF	G2070902		1-	B	a4
D 1023	DIODE				HVC131TRF	G2070676		1-	A	E5
D 1026	DIODE				HVC131TRF	G2070676		1-	A	D4
D 1027	DIODE				HVC131TRF	G2070676		1-	A	D4
D 1028	DIODE				HVC131TRF	G2070676		1-	A	E5
D 1029	DIODE				RLS135 TE-11	G2070128		1-	B	b2
D 1030	DIODE				RLS135 TE-11	G2070128		1-	B	b2
D 1031	DIODE				DAN222 TL	G2070174		1-	B	a4
D 1032	DIODE				HVC131TRF	G2070676		1-	B	c3
D 1033	DIODE				HVC131TRF	G2070676		1-	A	E5
D 1034	DIODE				HVC131TRF	G2070676		1-	A	C3
D 1035	DIODE				DAN222 TL	G2070174		1-	A	C4
D 1036	DIODE				MA2S72800L	G2070858		1-	B	f4
D 1037	DIODE				DAN222 TL	G2070174		1-	A	D5
D 1038	DIODE				MA2S72800L	G2070858		1-	B	d5
D 1039	DIODE				HSC277TRF	G2070584		1-	B	e3
D 1040	DIODE				HSC277TRF	G2070584		1-	B	e3
D 1041	DIODE				HSC277TRF	G2070584		1-	B	e3
D 1042	DIODE				HSC277TRF	G2070584		1-	B	e3
D 1043	DIODE				HSC277TRF	G2070584		1-	B	d5

MAIN Unit

REF	DESCRIPTION	VALUE	V/W	TOL.	MFR'S DESIG	VXSTD P/N	VERS.	LOT	SIDE	LAY ADR
D 1044	DIODE				HSC277TRF	G2070584		1-	B	d5
D 1045	DIODE				HSC277TRF	G2070584		1-	B	d5
D 1046	DIODE				HSC277TRF	G2070584		1-	B	c5
D 1047	DIODE				DAN222 TL	G2070174		1-	B	f4
D 1048	DIODE				DAN222 TL	G2070174		1-	B	f4
D 1049	DIODE				DAN222 TL	G2070174		1-	A	B3
D 1050	DIODE				DAN222 TL	G2070174		1-	A	B3
D 1051	DIODE				DA221 TL	G2070178		1-	A	A4
D 1052	DIODE				DA221 TL	G2070178		1-	B	f5
D 1053	DIODE				HZM27WA-TR	G2070530		1-	B	e5
D 1054	DIODE				HZM27WA-TR	G2070530		1-	B	e5
D 1055	DIODE				DAN222 TL	G2070174		1-	A	A2
D 1056	SURGE ABSORBER				P6KA18	Q9000721		1-	A	B1
D 1057	DIODE				D1F20-4063	G2070474		1-	B	g3
D 1058	DIODE				DAN222 TL	G2070174		1-	B	g4
D 1059	DIODE				DAN222 TL	G2070174		1-	B	g4
D 1060	DIODE				DAN222 TL	G2070174		1-	B	f5
D 1061	DIODE				DAP222-TL	G2070432		1-	A	G5
D 1062	DIODE				DAP222-TL	G2070432		1-	A	G5
D 1063	DIODE				DAN222 TL	G2070174		1-	A	F5
D 1064	DIODE				DAP222-TL	G2070432		1-	A	F5
D 1065	DIODE				DAP222-TL	G2070432		1-	A	F5
D 1066	DIODE				DAN222 TL	G2070174		1-	A	F5
D 1067	DIODE				DAP222-TL	G2070432		1-	A	F5
D 1068	DIODE				DA221 TL	G2070178		1-	A	C4
D 1069	DIODE				HVC365 TRF	G2070902		1-	B	d4
D 1070	DIODE				HVC365 TRF	G2070902		1-	B	e5
D 1071	DIODE				HVC350B-TRF	G2070596		1-	B	d5
D 1072	DIODE				HVC365 TRF	G2070902		1-	B	d4
D 1073	DIODE				DA221 TL	G2070178		1-	B	d5
D 1074	DIODE				DA221 TL	G2070178		1-	A	E5
D 1075	DIODE				HVC365 TRF	G2070902		1-	B	c5
D 1076	DIODE				HVC365 TRF	G2070902		1-	B	c5
D 1077	DIODE				HVC365 TRF	G2070902		1-	B	c5
D 1078	DIODE				DA221 TL	G2070178		1-	B	c5
D 1079	DIODE				HVC375B-TRF	G2070856		1-	B	d4
D 1080	DIODE				HVC350B-TRF	G2070596		1-	B	d4
D 1081	DIODE				HSC277TRF	G2070584		1-	B	d4
D 1082	DIODE				HVC365 TRF	G2070902		1-	B	d4
D 1083	DIODE				HVC131TRF	G2070676		1-	B	d4
D 1084	DIODE				HVC362TRF	G2070636		1-	B	d4
D 1085	DIODE				HVC365 TRF	G2070902		1-	B	d4
D 1086	DIODE				HSC277TRF	G2070584		1-	A	C4
D 1087	DIODE				HSC277TRF	G2070584		1-	A	C4
D 1088	DIODE				DAN222 TL	G2070174		1-	B	e4
D 1089	DIODE				HSC277TRF	G2070584		1-	A	D3
D 1090	DIODE				HVC375B-TRF	G2070856		1-	B	c4
D 1091	DIODE				HVC350B-TRF	G2070596		1-	B	c5
D 1092	DIODE				HSC277TRF	G2070584		1-	B	c5
D 1093	DIODE				HVC131TRF	G2070676		1-	A	E5
D 1094	DIODE				HVC365 TRF	G2070902		1-	B	c4
D 1095	DIODE				HVC365 TRF	G2070902		1-	B	c4
D 1096	DIODE				HVC362TRF	G2070636		1-	B	c4
D 1097	DIODE				HVC131TRF	G2070676		1-	A	E4
D 1098	DIODE				DAN222 TL	G2070174		1-	A	D4
D 1099	DIODE				HSC277TRF	G2070584		1-	A	C3
D 1100	DIODE				DAN222 TL	G2070174		1-	B	e3
D 1101	DIODE				HSC277TRF	G2070584		1-	B	d3
D 1102	DIODE				HSC277TRF	G2070584		1-	B	d3
D 1103	DIODE				HZM13NB2 TR	G2070894		1-	B	d3
D 1104	DIODE				DAN222 TL	G2070174		1-	A	D3
D 1105	DIODE				HSC277TRF	G2070584		1-	A	C3
D 1106	DIODE				HSC277TRF	G2070584		1-	A	C3
D 1107	DIODE				HSC277TRF	G2070584		1-	A	C2
D 1108	DIODE				RLS135 TE-11	G2070128		1-	A	C2
D 1109	DIODE				MA2S72800L	G2070858		1-	B	b1
D 1110	DIODE				MA2S72800L	G2070858		1-	B	b1
D 1111	DIODE				HSC277TRF	G2070584		1-	A	B2
D 1112	DIODE				HSC277TRF	G2070584		1-	A	B2
D 1113	DIODE				UM9957F/TR	G2070562		1-	A	F1
D 1114	DIODE				UM9957F/TR	G2070562		1-	A	F1
D 1115	DIODE				RLS135 TE-11	G2070128		1-	A	F2
D 1116	DIODE				RLS135 TE-11	G2070128		1-	A	F2
D 1117	DIODE				HSC277TRF	G2070584		1-	B	b2
D 1118	DIODE				UM9957F/TR	G2070562		1-	A	E2
D 1119	DIODE				UM9957F/TR	G2070562		1-	A	E2
D 1120	DIODE				UM9957F/TR	G2070562		1-	A	E2

REF	DESCRIPTION	VALUE	V/W	TOL.	MFR'S DESIG	VXSTD P/N	VERS.	LOT	SIDE	LAY ADR
D 1121	DIODE				MA2S72800L	G2070858		1-	B	c2
D 1122	DIODE				MA2S72800L	G2070858		1-	A	E2
D 1123	SURGE ABSORBER				RCCA-201Q43UA	Q9000755		1-	A	F2
D 1125	DIODE				MA2S111-(TX)	G2070614		1-		
FB1001	BEADS COIL				B-01-A	L1190386		1-	A	B1
FB1002	FERRITE BEADS				SMB304729	L9190094		1-	A	C1
FB1003	FERRITE BEADS				SMB304729	L9190094		1-	A	B3
HS1001	HEATSINK PLATE					RA0227600		1-	B	d3
J 1001	CONNECTOR				HSJ6062-01-440	P1090983		1-	A	A1
J 1002	CONNECTOR				SC25-02WS	P0090621		1-	A	A3
J 1003	CONNECTOR				MD-S6000-90	P1091087		1-	B	f1
J 1004	CONNECTOR				B2B-ZR	P0090647		1-	A	B1
J 1005	CONNECTOR				MJ-66J-RD315K	P1091049		1-	A	B6
JP1000	WIRE ASSY				GRN 30 2/2	T50503000		1-		
JP1001	WIRE ASSY				GRN 20 2/2	T50502000		1-		
JP1002	WIRE ASSY				GRN 20 2/2	T50502000		1-		
L 1001	M.RFC	0.015uH		2%	C1608CA-15NG	L1691034		1-	B	b2
L 1002	M.RFC	0.01uH		2%	C1608CA-10NG	L1691032		1-	B	b3
L 1003	M.RFC	0.039uH		2%	C1608CA-39NG	L1691039		1-	B	b3
L 1004	M.RFC	0.039uH		2%	C1608CA-39NG	L1691039		1-	B	b3
L 1005	M.RFC	0.01uH			TFL0510-10N	L1690811		1-	B	c3
L 1006	M.RFC	0.1uH			TFL0816-100N	L1690981		1-	B	c3
L 1007	M.RFC	0.01uH		2%	C1608CA-10NG	L1691032		1-	B	c3
L 1008	COIL				E2 0.28-1.0-4T-R	L0022365		1-	B	c3
L 1009	COIL				E2 0.28-1.0-4T-R	L0022365		1-	B	c3
L 1010	M.RFC	0.015uH			TFL0816-15	L1690493		1-	A	D3
L 1011	M.RFC	0.015uH			TFL0816-15	L1690493		1-	A	D3
L 1012	M.RFC	0.015uH			TFL0816-15	L1690493		1-	B	c3
L 1013	M.RFC	0.1uH			TFL0816-100N	L1690981		1-	B	b4
L 1014	M.RFC	0.01uH		2%	C1608CA-10NG	L1691032		1-	B	b4
L 1015	COIL				E2 0.28-1.0-4T-R	L0022365		1-	B	b4
L 1016	COIL				E2 0.28-1.0-4T-R	L0022365		1-	B	b4
L 1017	M.RFC	0.015uH			TFL0816-15	L1690493		1-	B	b4
L 1018	M.RFC	0.015uH			TFL0816-15	L1690493		1-	B	b4
L 1019	M.RFC	0.015uH			TFL0816-15	L1690493		1-	B	b5
L 1020	M.RFC	0.1uH		2%	C1608CA-R10G	L1691045		1-	B	b2
L 1021	M.RFC	0.056uH		2%	C1608CA-56NG	L1691041		1-	B	b2
L 1022	M.RFC	0.043uH		2%	C1608CA-43NG	L1691099		1-	B	b2
L 1023	M.RFC	0.043uH		2%	C1608CA-43NG	L1691099		1-	B	b2
L 1024	M.RFC	0.15uH		2%	C1608CA-R15G	L1691101		1-	B	b3
L 1025	M.RFC	1uH			LK1608 1R0K-T	L1690687		1-	B	b3
L 1026	M.RFC	0.082uH		2%	C1608CA-82NG	L1691044		1-	B	b4
L 1027	M.RFC	0.082uH		2%	C1608CA-82NG	L1691044		1-	B	c3
L 1028	M.RFC	0.082uH		2%	C1608CA-82NG	L1691044		1-	B	c3
L 1029	M.RFC	0.047uH			TFL0816-47	L1690499		1-	B	c4
L 1030	M.RFC	1uH			LK1608 1R0K-T	L1690687		1-	B	b4
L 1031	M.RFC	0.082uH		2%	C1608CA-82NG	L1691044		1-	B	b4
L 1032	M.RFC	0.082uH		2%	C1608CA-82NG	L1691044		1-	B	b4
L 1033	M.RFC	0.082uH		2%	C1608CA-82NG	L1691044		1-	B	b4
L 1034	M.RFC	0.047uH			TFL0816-47	L1690499		1-	B	b5
L 1035	M.RFC	0.068uH		2%	C1608CA-68NG	L1691042		1-	B	b2
L 1036	M.RFC	0.022uH		2%	C1608CA-22NG	L1691036		1-	B	b2
L 1037	M.RFC	0.022uH		2%	C1608CA-22NG	L1691036		1-	B	b3
L 1038	M.RFC	0.082uH		2%	C1608CA-82NG	L1691044		1-	B	b3
L 1039	M.RFC	0.039uH			TFL0816-39	L1690498		1-	B	c4
L 1040	M.RFC	0.039uH			TFL0816-39	L1690498		1-	B	c4
L 1041	M.RFC	0.039uH			TFL0816-39	L1690498		1-	A	F4
L 1042	M.RFC	0.039uH			TFL0816-39	L1690498		1-	A	E4
L 1043	M.RFC	0.01uH			TFL0816-10	L1690491		1-	B	a3
L 1044	M.RFC	0.01uH			TFL0816-10	L1690491		1-	B	a3
L 1045	M.RFC	0.0047uH			TFL0816-4N7	L1690487		1-	B	a3
L 1046	M.RFC	0.0047uH			TFL0816-4N7	L1690487		1-	A	F3
L 1047	M.RFC	0.0047uH			TFL0816-4N7	L1690487		1-	A	F4
L 1048	M.RFC	0.0047uH			TFL0816-4N7	L1690487		1-	A	F4
L 1049	M.RFC	0.0047uH			TFL0816-4N7	L1690487		1-	A	F4
L 1050	M.RFC	0.0033uH			TFL0816-3N3	L1690485		1-	A	E4
L 1051	M.RFC	0.0047uH			TFL0816-4N7	L1690487		1-	A	E4
L 1052	M.RFC	0.0047uH			TFL0816-4N7	L1690487		1-	A	D3
L 1053	M.RFC	0.0047uH			TFL0816-4N7	L1690487		1-	A	E4
L 1054	M.RFC	0.0047uH			TFL0816-4N7	L1690487		1-	A	E4
L 1055	M.RFC	0.0047uH			TFL0816-4N7	L1690487		1-	A	E4
L 1056	M.RFC	0.022uH			TFL0816-22	L1690495		1-	B	d3
L 1057	M.RFC	0.39uH		2%	C1608CA-R39G	L1691107		1-	B	d4
L 1058	M.RFC	0.39uH		2%	C1608CA-R39G	L1691107		1-	A	B4
L 1059	M.RFC	1uH			LK1608 1R0K-T	L1690687		1-	B	e4
L 1060	M.RFC	0.39uH		2%	C1608CA-R39G	L1691107		1-	A	E5
L 1061	M.RFC	0.39uH		2%	C1608CA-R39G	L1691107		1-	A	D5

MAIN Unit

REF	DESCRIPTION	VALUE	V/W	TOL.	MFR'S DESIG	VXSTD P/N	VERS.	LOT	SIDE	LAY ADR
L 1062	M.RFC	1uH			LK1608 1R0K-T	L1690687		1-	B	c5
L 1063	M.RFC	0.39uH		2%	C1608CA-R39G	L1691107		1-	B	e4
L 1064	M.RFC	1uH			ELJ-ND1R0JF	L1690977		1-	B	e4
L 1065	M.RFC	0.39uH		2%	C1608CA-R39G	L1691107		1-	A	D5
L 1066	M.RFC	1uH			LK1608 1R0K-T	L1690687		1-	B	f5
L 1067	M.RFC	150uH			FLC32T-151J	L1690229		1-	B	f4
L 1068	M.RFC	1uH			ELJ-ND1R0JF	L1690977		1-	A	D5
L 1069	M.RFC	1uH			LK1608 1R0K-T	L1690687		1-	A	C4
L 1070	M.RFC	1uH			LK1608 1R0K-T	L1690687		1-	B	d4
L 1071	COIL				E2 0.3-1.1-3T-R	L0022579		1-	B	d4
L 1072	M.RFC	0.0039uH			TFL0816-3N9	L1690486		1-	B	d4
L 1073	M.RFC	0.022uH			TFL0816-22	L1690495		1-	B	d4
L 1074	M.RFC	1uH			LK1608 1R0K-T	L1690687		1-	B	d4
L 1075	CHIP COIL	0.056uH			LQN21A56NG04	L1690978		1-	B	d4
L 1076	M.RFC	0.0022uH			TFL0510-2N2	L1690803		1-	B	d4
L 1077	M.RFC	0.15uH			LK1608 R15K-T	L1690409		1-	B	d4
L 1078	M.RFC	1uH			LK1608 1R0K-T	L1690687		1-	B	c4
L 1079	COIL				E2 0.3-1.1-3T-R	L0022579		1-	B	c5
L 1080	M.RFC	0.0039uH			TFL0816-3N9	L1690486		1-	B	c5
L 1081	M.RFC	0.022uH			TFL0816-22	L1690495		1-	B	b4
L 1082	M.RFC	1uH			LK1608 1R0K-T	L1690687		1-	B	c4
L 1083	CHIP COIL	0.056uH			LQN21A56NG04	L1690978		1-	B	c4
L 1084	M.RFC	0.0082uH			TFL0510-8N2	L1690810		1-	B	c4
L 1085	M.RFC	0.15uH			LK1608 R15K-T	L1690409		1-	B	b4
L 1086	M.RFC	1uH			LK1608 1R0K-T	L1690687		1-	B	e3
L 1087	M.RFC	0.047uH			TFL0816-47	L1690499		1-	B	d3
L 1088	M.RFC	0.015uH			TFL0816-15	L1690493		1-	B	d3
L 1089	M.RFC	0.1uH		2%	C1608CA-R10G	L1691045		1-	A	B3
L 1090	M.RFC	0.0082uH			TFL0816-8N2	L1690490		1-	A	C3
L 1091	COIL				E2 0.35-1.6-4.5T-L	L0022577		1-	A	C3
L 1092	COIL				E2 0.3-1.1-3T-R	L0022579		1-	A	C3
L 1093	COIL				E2 0.4-1.3-2T-L	L0022580		1-	A	C3
L 1094	COIL				E2 0.28-1.0-7TR	L0022422		1-	A	C3
L 1095	COIL	0.056uH			AS050635-56N	L0022813		1-	A	C3
L 1096	COIL				E2 0.4-1.3-2T-L	L0022580		1-	A	C2
L 1097	COIL				E2 0.45-1.4-2.5T-L	L0022618		1-	A	C2
L 1098	M.RFC	1uH			ELJ-ND1R0JF	L1690977		1-	B	e2
L 1099	COIL				E2 0.35-1.6-5.5T-L	L0022616		1-	A	C2
L 1100	COIL				E2 0.35-1.6-7T-L	L0022390		1-	A	B2
L 1101	M.RFC	1uH			ELJ-ND1R0JF	L1690977		1-	B	e2
L 1102	COIL	0.012uH			AS080336-12N	L0022810		1-	A	C1
L 1103	COIL A1				12.5T3.5D0.8UEW R	L0022828		1-	A	D1
L 1104	M.RFC	0.47uH			LK2125 R47K-T	L1690315		1-	B	a4
L 1105	M.RFC	0.47uH			LK2125 R47K-T	L1690315		1-	A	D3
L 1106	COIL A1				3.5T3.5D1.0UEW R	L0022805		1-	A	E1
L 1107	COIL A1				1.5T3.0D1.2UEW R	L0022806		1-	A	E1
L 1108	COIL A1				4.5T3.5D1.0UEW R	L0022836		1-	A	E1
L 1109	COIL A1				3.5T3.5D1.0UEW R	L0022805		1-	A	F1
L 1110	COIL				E2 0.4-3.0-11.5T-L	L0022646		1-	A	F2
L 1111	COIL	0.038uH			AS050630-38N	L0022818		1-	A	F1
L 1112	M.RFC	0.039uH		2%	C1608CA-39NG	L1691039		1-	B	b2
L 1113	COIL A1				3.5T3.5D1.0UEW R	L0022805		1-	A	F2
L 1114	COIL A1				3.5T3.5D1.0UEW R	L0022805		1-	A	F2
L 1115	COIL	0.01uH			AS1003-10NK	L0022544		1-	A	D2
L 1116	COIL				E2 0.25-1.9-5.5T-R	L0022610		1-	A	E2
L 1117	COIL	0.015uH			AS100440-15N	L0022811		1-	A	E2
L 1118	COIL	0.014uH			AS050425-14NK	L0022583		1-	A	E3
L 1119	COIL	0.015uH			AS100440-15N	L0022811		1-	A	E2
L 1120	COIL	0.015uH			AS0803-15NK	L0022536		1-	A	F3
L 1121	COIL	0.012uH			AS080336-12N	L0022810		1-	A	F3
Q 1001	FET				3SK296ZQ-TL	G4802968		1-	B	b3
Q 1002	FET				3SK296ZQ-TL	G4802968		1-	B	b3
Q 1003	FET				3SK296ZQ-TL	G4802968		1-	B	c3
Q 1004	TRANSISTOR				2SC5006-T1	G3350068		1-	A	D3
Q 1005	FET				3SK296ZQ-TL	G4802968		1-	B	b5
Q 1006	TRANSISTOR				2SC5006-T1	G3350068		1-	B	b5
Q 1014	FET				3SK296ZQ-TL	G4802968		1-	B	b3
Q 1015	FET				3SK296ZQ-TL	G4802968		1-	B	b3
Q 1016	FET				3SK296ZQ-TL	G4802968		1-	B	c4
Q 1017	FET				3SK296ZQ-TL	G4802968		1-	B	a5
Q 1018	FET				3SK296ZQ-TL	G4802968		1-	B	b3
Q 1019	FET				3SK296ZQ-TL	G4802968		1-	B	a3
Q 1020	TRANSISTOR				2SC5277-D2-TL	G3352778B		1-	A	F3
Q 1021	TRANSISTOR				2SC5006-T1	G3350068		1-	A	F3
Q 1022	TRANSISTOR				2SC5006-T1	G3350068		1-	A	F4
Q 1023	TRANSISTOR				2SC5374-TL	G3353748		1-	B	c4
Q 1024	TRANSISTOR				2SC5374-TL	G3353748		1-	A	E5

REF	DESCRIPTION	VALUE	V/W	TOL.	MFR'S DESIG	VXSTD P/N	VERS.	LOT	SIDE	LAY ADR
Q 1025	TRANSISTOR				2SC5006-T1	G3350068		1-	A	D3
Q 1026	TRANSISTOR				2SC5006-T1	G3350068		1-	A	E4
Q 1027	TRANSISTOR				2SC4400-3-TL	G3344008C		1-	A	C4
Q 1029	TRANSISTOR				2SC4617 TL R	G3346178R		1-	B	f4
Q 1030	TRANSISTOR				2SC4617 TL R	G3346178R		1-	A	B4
Q 1031	TRANSISTOR				2SC4617 TL R	G3346178R		1-	B	f3
Q 1032	TRANSISTOR				2SC4617 TL R	G3346178R		1-	B	f3
Q 1033	TRANSISTOR				2SC4617 TL R	G3346178R		1-	B	e3
Q 1035	TRANSISTOR				2SC4400-3-TL	G3344008C		1-	A	E5
Q 1036	TRANSISTOR				2SC4617 TL R	G3346178R		1-	B	d5
Q 1037	TRANSISTOR				2SC4617 TL R	G3346178R		1-	B	d5
Q 1038	TRANSISTOR				2SC4617 TL R	G3346178R		1-	A	C5
Q 1039	TRANSISTOR				2SC4617 TL R	G3346178R		1-	A	C5
Q 1040	TRANSISTOR				2SC4617 TL R	G3346178R		1-	B	d4
Q 1042	TRANSISTOR				2SC4400-3-TL	G3344008C		1-	B	e4
Q 1043	TRANSISTOR				2SC4400-3-TL	G3344008C		1-	A	D5
Q 1044	IC				TA31136FN(EL)	G1091605		1-	A	B4
Q 1045	TRANSISTOR				2SC4617 TL R	G3346178R		1-	B	e3
Q 1046	TRANSISTOR				DTC144EE TL	G3070075		1-	B	e3
Q 1047	IC				TA31136FN(EL)	G1091605		1-	A	D5
Q 1048	TRANSISTOR				2SC4617 TL R	G3346178R		1-	B	d5
Q 1049	TRANSISTOR				DTC144EE TL	G3070075		1-	B	d5
Q 1052	IC				NJM2902V-TE1	G1091679		1-	A	A4
Q 1053	IC				NJM2902V-TE1	G1091679		1-	B	f4
Q 1054	IC				NJM2904V-TE1	G1091677		1-	B	f4
Q 1056	TRANSISTOR				2SC4617 TL R	G3346178R		1-	A	B3
Q 1057	TRANSISTOR				2SC4617 TL R	G3346178R		1-	A	A3
Q 1058	TRANSISTOR				DTC144EE TL	G3070075		1-	A	B3
Q 1059	TRANSISTOR				DTC144EE TL	G3070075		1-	A	A4
Q 1060	TRANSISTOR				DTC144EE TL	G3070075		1-	A	A4
Q 1061	TRANSISTOR				DTC144EE TL	G3070075		1-	B	g4
Q 1062	TRANSISTOR				DTC144EE TL	G3070075		1-	B	g4
Q 1063	IC				M51132FP 600C	G1091930		1-	A	A2
Q 1064	TRANSISTOR				CPH6102-TL	G3070223		1-	B	f1
Q 1065	TRANSISTOR				DTC144EE TL	G3070075		1-	B	f1
Q 1066	IC				TC4W66FU TE12L	G1091676		1-	B	f3
Q 1067	IC				TC4W66FU TE12L	G1091676		1-	B	f2
Q 1068	IC				LA4425A	G1092241		1-	A	A2
Q 1069	IC				TDA7233D-TR	G1091112		1-	A	A3
Q 1070	TRANSISTOR				DTC144EE TL	G3070075		1-	A	A1
Q 1071	IC				BU4066BCFV-E2	G1093537		1-	A	B4
Q 1072	TRANSISTOR				DTC144EE TL	G3070075		1-	A	A1
Q 1073	TRANSISTOR				DTC144EE TL	G3070075		1-	B	f4
Q 1074	IC				NJM2902V-TE1	G1091679		1-	A	A4
Q 1075	TRANSISTOR				DTC144EE TL	G3070075		1-	B	e4
Q 1076	TRANSISTOR				2SC4617 TL R	G3346178R		1-	B	e1
Q 1077	TRANSISTOR				DTC144EE TL	G3070075		1-	B	e5
Q 1078	TRANSISTOR				2SB1301-T2 ZQ	G3213017Q		1-	A	B2
Q 1079	TRANSISTOR				2SB1201S-TL	G3070195		1-	B	e2
Q 1080	IC				MM1216ENRE	G1092432		1-	B	e2
Q 1081	IC				NJM78L05UA TE1	G1091325		1-	A	B2
Q 1082	TRANSISTOR				2SC4617 TL R	G3346178R		1-	A	A2
Q 1083	TRANSISTOR				2SA1774 TL R	G3117748R		1-	B	f3
Q 1084	IC				NJM78L05UA TE1	G1091325		1-	B	g3
Q 1085	IC				S-80823CNMC-B8I-T2	G1093635		1-	B	f4
Q 1086	TRANSISTOR				2SC4617 TL R	G3346178R		1-	B	g4
Q 1087	TRANSISTOR				2SC4617 TL R	G3346178R		1-	B	f5
Q 1088	IC				AT24C256N-10SI-1.8	G1093837		1-	B	g5
Q 1089	TRANSISTOR				DTC144EE TL	G3070075		1-	B	f3
Q 1090	TRANSISTOR				UMA8N TR	G3070270		1-	A	G4
Q 1091	TRANSISTOR				UMA8N TR	G3070270		1-	A	G4
Q 1092	TRANSISTOR				UMA8N TR	G3070270		1-	A	F5
Q 1093	TRANSISTOR				UMA8N TR	G3070270		1-	A	F5
Q 1094	TRANSISTOR				DTA144EE TL	G3070074		1-	A	F5
Q 1095	IC				BU2090FS-E1	G1092187		1-	A	F5
Q 1096	TRANSISTOR				IMT17 T110	G3070295		1-	B	a4
Q 1097	TRANSISTOR				DTA144EE TL	G3070074		1-	A	F5
Q 1098	TRANSISTOR				2SC4617 TL R	G3346178R		1-	A	F5
Q 1099	TRANSISTOR				2SC4617 TL R	G3346178R		1-	A	D4
Q 1100	TRANSISTOR				UMA8N TR	G3070270		1-	A	D4
Q 1101	TRANSISTOR				DTA144EE TL	G3070074		1-	A	F5
Q 1102	TRANSISTOR				UMA8N TR	G3070270		1-	A	F5
Q 1103	TRANSISTOR				DTA144EE TL	G3070074		1-	A	D4
Q 1104	IC				M3826AEFGP	※		1-	A	A5
Q 1105	IC				M62353GP 70ED	G1092621		1-	B	f5
Q 1106	TRANSISTOR				DTC144EE TL	G3070075		1-	B	e4
Q 1107	TRANSISTOR				DTC144EE TL	G3070075		1-	B	e4

※Please contact VERTEX STANDARD.

MAIN Unit

REF	DESCRIPTION	VALUE	V/W	TOL.	MFR'S DESIG	VXSTD P/N	VERS.	LOT	SIDE	LAY ADR
Q 1108	TRANSISTOR				2SA1774 TL R	G3117748R		1-	A	C4
Q 1109	IC				MB15A02PFV1-G-BND-EF	G1092541		1-	A	C4
Q 1110	TRANSISTOR				DTC144EE TL	G3070075		1-	A	D4
Q 1111	TRANSISTOR				2SA1774 TL R	G3117748R		1-	A	D5
Q 1112	IC				MB15A02PFV1-G-BND-EF	G1092541		1-	A	D5
Q 1113	TRANSISTOR				2SC4617 TL R	G3346178R		1-	B	d4
Q 1114	TRANSISTOR				DTC144EE TL	G3070075		1-	B	e4
Q 1115	TRANSISTOR				DTC144EE TL	G3070075		1-	B	e4
Q 1116	TRANSISTOR				2SC5006-T1	G3350068		1-	B	d4
Q 1117	TRANSISTOR				2SC5006-T1	G3350068		1-	B	d4
Q 1118	TRANSISTOR				2SC5006-T1	G3350068		1-	A	C4
Q 1119	TRANSISTOR				2SC5006-T1	G3350068		1-	A	C4
Q 1120	TRANSISTOR				2SC5374-TL	G3353748		1-	B	d4
Q 1121	TRANSISTOR				2SC5374-TL	G3353748		1-	B	d4
Q 1122	TRANSISTOR				2SC5374-TL	G3353748		1-	A	D4
Q 1123	TRANSISTOR				2SC5006-T1	G3350068		1-	B	c5
Q 1124	TRANSISTOR				2SC5006-T1	G3350068		1-	B	b5
Q 1125	TRANSISTOR				2SC5374-TL	G3353748		1-	A	E5
Q 1126	TRANSISTOR				2SC5374-TL	G3353748		1-	B	c4
Q 1127	TRANSISTOR				2SC5374-TL	G3353748		1-	B	b4
Q 1128	TRANSISTOR				2SC5374-TL	G3353748		1-	A	E5
Q 1129	IC				NJM2904V-TE1	G1091677		1-	B	e3
Q 1130	TRANSISTOR				DTA144EE TL	G3070074		1-	B	e3
Q 1131	TRANSISTOR				DTC144EE TL	G3070075		1-	B	e3
Q 1132	FET				2SK2596BXTL	G3825967		1-	A	C3
Q 1133	TRANSISTOR				2SD1664 T100 Q	G3416647Q		1-	B	d3
Q 1134	FET				2SK2975-T11	G3829757		1-	A	C3
Q 1135	FET				RD70HVF1	G3090140		1-	A	D1
R 1001	CHIP RES.	15k	1/16W	0.5%	RR0510R-153-D	J24189147		1-	A	E3
R 1002	CHIP RES.	100k	1/16W	5%	RMC1/16S 104JTH	J24189049		1-	B	b3
R 1003	CHIP RES.	100	1/16W	5%	RMC1/16S 101JTH	J24189013		1-	B	c3
R 1004	CHIP RES.	0	1/16W	5%	RMC1/16S JPTH	J24189070		1-	B	c3
R 1005	CHIP RES.	4.7k	1/16W	5%	RMC1/16S 472JTH	J24189033		1-	B	c3
R 1006	CHIP RES.	100	1/16W	5%	RMC1/16S 101JTH	J24189013		1-	B	c3
R 1007	CHIP RES.	100k	1/16W	5%	RMC1/16S 104JTH	J24189049		1-	B	c3
R 1008	CHIP RES.	100k	1/16W	5%	RMC1/16S 104JTH	J24189049		1-	B	c3
R 1009	CHIP RES.	100k	1/16W	5%	RMC1/16S 104JTH	J24189049		1-	B	c3
R 1010	CHIP RES.	33k	1/16W	5%	RMC1/16S 333JTH	J24189043		1-	B	c3
R 1011	CHIP RES.	220k	1/16W	5%	RMC1/16S 224JTH	J24189053		1-	B	c3
R 1012	CHIP RES.	100	1/16W	5%	RMC1/16S 101JTH	J24189013		1-	B	c3
R 1013	CHIP RES.	1k	1/16W	5%	RMC1/16S 102JTH	J24189025		1-	B	c3
R 1014	CHIP RES.	100	1/16W	5%	RMC1/16S 101JTH	J24189013		1-	B	c3
R 1015	CHIP RES.	0	1/16W	5%	RMC1/16S JPTH	J24189070		1-	A	E3
R 1016	CHIP RES.	4.7k	1/16W	5%	RMC1/16S 472JTH	J24189033		1-	A	D3
R 1017	CHIP RES.	100	1/16W	5%	RMC1/16S 101JTH	J24189013		1-	A	E3
R 1018	CHIP RES.	47k	1/16W	5%	RMC1/16S 473JTH	J24189045		1-	A	D3
R 1019	CHIP RES.	1M	1/16W	5%	RMC1/16S 105JTH	J24189061		1-	A	D3
R 1020	CHIP RES.	1k	1/16W	5%	RMC1/16S 102JTH	J24189025		1-	A	D3
R 1021	CHIP RES.	1k	1/16W	5%	RMC1/16S 102JTH	J24189025		1-	B	c3
R 1022	CHIP RES.	47k	1/16W	5%	RMC1/16S 473JTH	J24189045		1-	B	c3
R 1023	CHIP RES.	220k	1/16W	5%	RMC1/16S 224JTH	J24189053		1-	B	c3
R 1025	CHIP RES.	10k	1/16W	0.5%	RR0510P-103-D	J24189143		1-	B	b3
R 1026	CHIP RES.	47k	1/16W	5%	RMC1/16S 473JTH	J24189045		1-	B	b3
R 1027	CHIP RES.	100k	1/16W	0.5%	RR0510R-104-D	J24189167		1-	A	E3
R 1028	CHIP RES.	82k	1/16W	0.5%	RR0510R-823-D	J24189165		1-	A	E3
R 1030	CHIP RES.	100k	1/16W	5%	RMC1/16S 104JTH	J24189049		1-	B	b3
R 1031	CHIP RES.	100	1/16W	5%	RMC1/16S 101JTH	J24189013		1-	B	b3
R 1032	CHIP RES.	0	1/16W	5%	RMC1/16S JPTH	J24189070		1-	B	b3
R 1033	CHIP RES.	4.7k	1/16W	5%	RMC1/16S 472JTH	J24189033		1-	B	b4
R 1034	CHIP RES.	100	1/16W	5%	RMC1/16S 101JTH	J24189013		1-	B	b4
R 1035	CHIP RES.	100	1/16W	5%	RMC1/16S 101JTH	J24189013		1-	B	b5
R 1036	CHIP RES.	100k	1/16W	5%	RMC1/16S 104JTH	J24189049		1-	B	b4
R 1037	CHIP RES.	100k	1/16W	5%	RMC1/16S 104JTH	J24189049		1-	B	b4
R 1038	CHIP RES.	100k	1/16W	5%	RMC1/16S 104JTH	J24189049		1-	B	b4
R 1039	CHIP RES.	33k	1/16W	5%	RMC1/16S 333JTH	J24189043		1-	B	b5
R 1040	CHIP RES.	220k	1/16W	5%	RMC1/16S 224JTH	J24189053		1-	B	b5
R 1041	CHIP RES.	150	1/16W	5%	RMC1/16S 151JTH	J24189015		1-	B	b5
R 1042	CHIP RES.	1k	1/16W	5%	RMC1/16S 102JTH	J24189025		1-	B	b5
R 1045	CHIP RES.	0	1/16W	5%	RMC1/16S JPTH	J24189070		1-	B	b4
R 1046	CHIP RES.	4.7k	1/16W	5%	RMC1/16S 472JTH	J24189033		1-	B	b4
R 1047	CHIP RES.	100	1/16W	5%	RMC1/16S 101JTH	J24189013		1-	B	b4
R 1048	CHIP RES.	47k	1/16W	5%	RMC1/16S 473JTH	J24189045		1-	B	b5
R 1049	CHIP RES.	1M	1/16W	5%	RMC1/16S 105JTH	J24189061		1-	B	b5
R 1050	CHIP RES.	2.2k	1/16W	5%	RMC1/16S 222JTH	J24189029		1-	B	b5
R 1051	CHIP RES.	1.2k	1/16W	5%	RMC1/16S 122JTH	J24189026		1-	B	b5
R 1052	CHIP RES.	47k	1/16W	5%	RMC1/16S 473JTH	J24189045		1-	B	b5
R 1053	CHIP RES.	220k	1/16W	5%	RMC1/16S 224JTH	J24189053		1-	B	b5

REF	DESCRIPTION	VALUE	V/W	TOL.	MFR'S DESIG	VXSTD P/N	VERS.	LOT	SIDE	LAY ADR
R 1057	CHIP RES.	82k	1/16W	0.5%	RR0510R-823-D	J24189165		1-	A	E3
R 1059	CHIP RES.	10k	1/16W	5%	RMC1/16S 103JTH	J24189037		1-	B	b3
R 1060	CHIP RES.	47	1/16W	5%	RMC1/16S 470JTH	J24189009		1-	B	b3
R 1061	CHIP RES.	47k	1/16W	5%	RMC1/16S 473JTH	J24189045		1-	B	b3
R 1062	CHIP RES.	10k	1/16W	5%	RMC1/16S 103JTH	J24189037		1-	B	b3
R 1063	CHIP RES.	47	1/16W	5%	RMC1/16S 470JTH	J24189009		1-	B	b3
R 1064	CHIP RES.	47	1/16W	5%	RMC1/16S 470JTH	J24189009		1-	B	b3
R 1065	CHIP RES.	680	1/16W	5%	RMC1/16S 681JTH	J24189023		1-	B	b3
R 1066	CHIP RES.	100	1/16W	5%	RMC1/16S 101JTH	J24189013		1-	B	b4
R 1067	CHIP RES.	220k	1/16W	5%	RMC1/16S 224JTH	J24189053		1-	B	c4
R 1068	CHIP RES.	220k	1/16W	5%	RMC1/16S 224JTH	J24189053		1-	B	c4
R 1069	CHIP RES.	220k	1/16W	5%	RMC1/16S 224JTH	J24189053		1-	B	c4
R 1070	CHIP RES.	15k	1/16W	5%	RMC1/16S 153JTH	J24189039		1-	B	c4
R 1071	CHIP RES.	120k	1/16W	5%	RMC1/16S 124JTH	J24189050		1-	B	c4
R 1072	CHIP RES.	47k	1/16W	5%	RMC1/16S 473JTH	J24189045		1-	B	c4
R 1073	CHIP RES.	220k	1/16W	5%	RMC1/16S 224JTH	J24189053		1-	B	c4
R 1074	CHIP RES.	150	1/16W	5%	RMC1/16S 151JTH	J24189015		1-	B	c3
R 1075	CHIP RES.	470	1/16W	5%	RMC1/16S 471JTH	J24189021		1-	B	c4
R 1076	CHIP RES.	47	1/16W	5%	RMC1/16S 470JTH	J24189009		1-	B	b3
R 1077	CHIP RES.	680	1/16W	5%	RMC1/16S 681JTH	J24189023		1-	B	b4
R 1078	CHIP RES.	100	1/16W	5%	RMC1/16S 101JTH	J24189013		1-	B	b4
R 1079	CHIP RES.	220k	1/16W	5%	RMC1/16S 224JTH	J24189053		1-	B	a4
R 1080	CHIP RES.	220k	1/16W	5%	RMC1/16S 224JTH	J24189053		1-	B	a4
R 1081	CHIP RES.	220k	1/16W	5%	RMC1/16S 224JTH	J24189053		1-	B	a4
R 1082	CHIP RES.	15k	1/16W	5%	RMC1/16S 153JTH	J24189039		1-	B	a5
R 1083	CHIP RES.	120k	1/16W	5%	RMC1/16S 124JTH	J24189050		1-	B	a5
R 1084	CHIP RES.	47k	1/16W	5%	RMC1/16S 473JTH	J24189045		1-	B	a5
R 1085	CHIP RES.	220k	1/16W	5%	RMC1/16S 224JTH	J24189053		1-	B	a5
R 1086	CHIP RES.	150	1/16W	5%	RMC1/16S 151JTH	J24189015		1-	B	b5
R 1087	CHIP RES.	470	1/16W	5%	RMC1/16S 471JTH	J24189021		1-	B	a5
R 1088	CHIP RES.	10k	1/16W	0.5%	RR0510P-103-D	J24189143		1-	B	b3
R 1089	CHIP RES.	47k	1/16W	5%	RMC1/16S 473JTH	J24189045		1-	B	b3
R 1091	CHIP RES.	10k	1/16W	5%	RMC1/16S 103JTH	J24189037		1-	B	b3
R 1092	CHIP RES.	47	1/16W	5%	RMC1/16S 470JTH	J24189009		1-	B	b3
R 1093	CHIP RES.	10k	1/16W	5%	RMC1/16S 103JTH	J24189037		1-	B	a3
R 1094	CHIP RES.	47	1/16W	5%	RMC1/16S 470JTH	J24189009		1-	B	b3
R 1095	CHIP RES.	47	1/16W	5%	RMC1/16S 470JTH	J24189009		1-	B	b3
R 1096	CHIP RES.	330	1/16W	5%	RMC1/16S 331JTH	J24189019		1-	B	b4
R 1097	CHIP RES.	100	1/16W	5%	RMC1/16S 101JTH	J24189013		1-	B	b4
R 1098	CHIP RES.	47k	1/16W	5%	RMC1/16S 473JTH	J24189045		1-	A	E4
R 1100	CHIP RES.	1.5M	1/16W	5%	RMC1/16S 155JTH	J24189063		1-	B	c4
R 1101	CHIP RES.	47	1/16W	5%	RMC1/16S 470JTH	J24189009		1-	B	a3
R 1102	CHIP RES.	330	1/16W	5%	RMC1/16S 331JTH	J24189019		1-	A	F4
R 1103	CHIP RES.	100	1/16W	5%	RMC1/16S 101JTH	J24189013		1-	A	F4
R 1104	CHIP RES.	47k	1/16W	5%	RMC1/16S 473JTH	J24189045		1-	A	F4
R 1106	CHIP RES.	1M	1/16W	5%	RMC1/16S 105JTH	J24189061		1-	A	F4
R 1107	CHIP RES.	4.7k	1/16W	5%	RMC1/16S 472JTH	J24189033		1-	A	F4
R 1108	CHIP RES.	470	1/16W	5%	RMC1/16S 471JTH	J24189021		1-	A	F5
R 1109	CHIP RES.	470	1/16W	5%	RMC1/16S 471JTH	J24189021		1-	B	c4
R 1110	CHIP RES.	4.7k	1/16W	5%	RMC1/16S 472JTH	J24189033		1-	B	c4
R 1111	CHIP RES.	47k	1/16W	5%	RMC1/16S 473JTH	J24189045		1-	A	D4
R 1112	CHIP RES.	100	1/16W	5%	RMC1/16S 101JTH	J24189013		1-	A	D4
R 1113	CHIP RES.	47	1/16W	5%	RMC1/16S 470JTH	J24189009		1-	B	b2
R 1114	CHIP RES.	330k	1/16W	5%	RMC1/16S 334JTH	J24189055		1-	A	F4
R 1115	CHIP RES.	22	1/16W	5%	RMC1/16S 220JTH	J24189005		1-	A	F4
R 1116	CHIP RES.	100	1/16W	5%	RMC1/16S 101JTH	J24189013		1-	A	F4
R 1117	CHIP RES.	100	1/16W	5%	RMC1/16S 101JTH	J24189013		1-	A	F4
R 1118	CHIP RES.	100	1/16W	5%	RMC1/16S 101JTH	J24189013		1-	A	F4
R 1119	CHIP RES.	820k	1/16W	5%	RMC1/16S 824JTH	J24189060		1-	A	F4
R 1120	CHIP RES.	820k	1/16W	5%	RMC1/16S 824JTH	J24189060		1-	A	F4
R 1121	CHIP RES.	100	1/16W	5%	RMC1/16S 101JTH	J24189013		1-	A	E4
R 1122	CHIP RES.	100	1/16W	5%	RMC1/16S 101JTH	J24189013		1-	A	E4
R 1123	CHIP RES.	82	1/16W	5%	RMC1/16S 820JTH	J24189012		1-	B	b4
R 1124	CHIP RES.	100	1/16W	5%	RMC1/16S 101JTH	J24189013		1-	A	E4
R 1125	CHIP RES.	1.5M	1/16W	5%	RMC1/16S 155JTH	J24189063		1-	A	D4
R 1126	CHIP RES.	1.5M	1/16W	5%	RMC1/16S 155JTH	J24189063		1-	A	E4
R 1127	CHIP RES.	1k	1/16W	5%	RMC1/16S 102JTH	J24189025		1-	A	D4
R 1128	CHIP RES.	100	1/16W	5%	RMC1/16S 101JTH	J24189013		1-	A	D4
R 1129	CHIP RES.	1k	1/16W	5%	RMC1/16S 102JTH	J24189025		1-	A	E4
R 1130	CHIP RES.	1k	1/16W	5%	RMC1/16S 102JTH	J24189025		1-	A	E4
R 1131	CHIP RES.	47k	1/16W	5%	RMC1/16S 473JTH	J24189045		1-	A	E4
R 1132	CHIP RES.	22	1/16W	5%	RMC1/16S 220JTH	J24189005		1-	A	D3
R 1133	CHIP RES.	2.2k	1/16W	5%	RMC1/16S 222JTH	J24189029		1-	B	d4
R 1134	CHIP RES.	100	1/16W	5%	RMC1/16S 101JTH	J24189013		1-	B	e3
R 1135	CHIP RES.	0	1/16W	5%	RMC1/16S JPTH	J24189070		1-	B	d3
R 1136	CHIP RES.	560	1/16W	5%	RMC1/16S 561JTH	J24189022		1-	A	C4
R 1137	CHIP RES.	330k	1/16W	5%	RMC1/16S 334JTH	J24189055		1-	A	C4

MAIN Unit

REF	DESCRIPTION	VALUE	V/W	TOL.	MFR'S DESIG	VXSTD P/N	VERS.	LOT	SIDE	LAY ADR
R 1138	CHIP RES.	8.2k	1/16W	0.5%	RR0510P-822-D	J24189141		1-	A	C4
R 1139	CHIP RES.	330	1/16W	5%	RMC1/16S 331JTH	J24189019		1-	A	C4
R 1140	CHIP RES.	220	1/16W	5%	RMC1/16S 221JTH	J24189017		1-	A	C4
R 1141	CHIP RES.	100	1/16W	5%	RMC1/16S 101JTH	J24189013		1-	A	B4
R 1142	CHIP RES.	470	1/16W	5%	RMC1/16S 471JTH	J24189021		1-	A	B4
R 1143	CHIP RES.	10	1/16W	5%	RMC1/16S 100JTH	J24189001		1-	A	B4
R 1145	CHIP RES.	100	1/16W	5%	RMC1/16S 101JTH	J24189013		1-	B	f4
R 1146	CHIP RES.	150k	1/16W	5%	RMC1/16S 154JTH	J24189051		1-	B	e3
R 1147	CHIP RES.	100k	1/16W	5%	RMC1/16S 104JTH	J24189049		1-	B	f4
R 1148	CHIP RES.	22k	1/16W	5%	RMC1/16S 223JTH	J24189041		1-	A	B4
R 1149	CHIP RES.	10k	1/16W	0.5%	RR0510P-103-D	J24189143		1-	A	B4
R 1150	CHIP RES.	390k	1/16W	5%	RMC1/16S 394JTH	J24189056		1-	A	B4
R 1151	CHIP RES.	1k	1/16W	5%	RMC1/16S 102JTH	J24189025		1-	A	B4
R 1152	CHIP RES.	4.7k	1/16W	5%	RMC1/16S 472JTH	J24189033		1-	A	B4
R 1153	CHIP RES.	330k	1/16W	5%	RMC1/16S 334JTH	J24189055		1-	B	f4
R 1154	CHIP RES.	47k	1/16W	5%	RMC1/16S 473JTH	J24189045		1-	B	f4
R 1155	CHIP RES.	4.7k	1/16W	5%	RMC1/16S 472JTH	J24189033		1-	B	f3
R 1156	CHIP RES.	1M	1/16W	5%	RMC1/16S 105JTH	J24189061		1-	B	f3
R 1157	CHIP RES.	470	1/16W	5%	RMC1/16S 471JTH	J24189021		1-	B	f3
R 1158	CHIP RES.	4.7k	1/16W	5%	RMC1/16S 472JTH	J24189033		1-	B	f3
R 1159	CHIP RES.	1M	1/16W	5%	RMC1/16S 105JTH	J24189061		1-	B	f3
R 1160	CHIP RES.	470	1/16W	5%	RMC1/16S 471JTH	J24189021		1-	B	e3
R 1161	CHIP RES.	1k	1/16W	5%	RMC1/16S 102JTH	J24189025		1-	B	e3
R 1162	CHIP RES.	4.7k	1/16W	5%	RMC1/16S 472JTH	J24189033		1-	B	e3
R 1163	CHIP RES.	1k	1/16W	5%	RMC1/16S 102JTH	J24189025		1-	B	e3
R 1164	CHIP RES.	100k	1/16W	5%	RMC1/16S 104JTH	J24189049		1-	A	B4
R 1166	CHIP RES.	2.2k	1/16W	5%	RMC1/16S 222JTH	J24189029		1-	A	E5
R 1167	CHIP RES.	100	1/16W	5%	RMC1/16S 101JTH	J24189013		1-	A	E5
R 1168	CHIP RES.	100	1/16W	5%	RMC1/16S 101JTH	J24189013		1-	A	E5
R 1169	CHIP RES.	560	1/16W	5%	RMC1/16S 561JTH	J24189022		1-	A	E5
R 1170	CHIP RES.	330k	1/16W	5%	RMC1/16S 334JTH	J24189055		1-	A	E5
R 1171	CHIP RES.	8.2k	1/16W	0.5%	RR0510P-822-D	J24189141		1-	A	E5
R 1172	CHIP RES.	330	1/16W	5%	RMC1/16S 331JTH	J24189019		1-	A	E5
R 1173	CHIP RES.	220	1/16W	5%	RMC1/16S 221JTH	J24189017		1-	A	D5
R 1174	CHIP RES.	470	1/16W	5%	RMC1/16S 471JTH	J24189021		1-	A	D5
R 1175	CHIP RES.	100	1/16W	5%	RMC1/16S 101JTH	J24189013		1-	A	D5
R 1176	CHIP RES.	10	1/16W	5%	RMC1/16S 100JTH	J24189001		1-	A	D5
R 1177	CHIP RES.	100	1/16W	5%	RMC1/16S 101JTH	J24189013		1-	B	d5
R 1178	CHIP RES.	150k	1/16W	5%	RMC1/16S 154JTH	J24189051		1-	B	d5
R 1179	CHIP RES.	10k	1/16W	0.5%	RR0510P-103-D	J24189143		1-	B	c5
R 1180	CHIP RES.	100k	1/16W	5%	RMC1/16S 104JTH	J24189049		1-	B	d5
R 1181	CHIP RES.	22k	1/16W	5%	RMC1/16S 223JTH	J24189041		1-	B	d5
R 1182	CHIP RES.	390k	1/16W	5%	RMC1/16S 394JTH	J24189056		1-	B	d5
R 1183	CHIP RES.	1k	1/16W	5%	RMC1/16S 102JTH	J24189025		1-	B	d5
R 1184	CHIP RES.	4.7k	1/16W	5%	RMC1/16S 472JTH	J24189033		1-	B	d5
R 1185	CHIP RES.	330k	1/16W	5%	RMC1/16S 334JTH	J24189055		1-	A	C5
R 1186	CHIP RES.	47k	1/16W	5%	RMC1/16S 473JTH	J24189045		1-	B	d5
R 1187	CHIP RES.	4.7k	1/16W	5%	RMC1/16S 472JTH	J24189033		1-	A	C5
R 1188	CHIP RES.	1M	1/16W	5%	RMC1/16S 105JTH	J24189061		1-	A	C5
R 1189	CHIP RES.	470	1/16W	5%	RMC1/16S 471JTH	J24189021		1-	A	C5
R 1190	CHIP RES.	4.7k	1/16W	5%	RMC1/16S 472JTH	J24189033		1-	A	C5
R 1191	CHIP RES.	1M	1/16W	5%	RMC1/16S 105JTH	J24189061		1-	A	C5
R 1192	CHIP RES.	470	1/16W	5%	RMC1/16S 471JTH	J24189021		1-	A	C5
R 1193	CHIP RES.	1k	1/16W	5%	RMC1/16S 102JTH	J24189025		1-	B	d5
R 1194	CHIP RES.	4.7k	1/16W	5%	RMC1/16S 472JTH	J24189033		1-	B	d5
R 1195	CHIP RES.	1k	1/16W	5%	RMC1/16S 102JTH	J24189025		1-	A	B4
R 1196	CHIP RES.	100k	1/16W	5%	RMC1/16S 104JTH	J24189049		1-	A	C5
R 1197	CHIP RES.	1M	1/16W	5%	RMC1/16S 105JTH	J24189061		1-	B	e4
R 1198	CHIP RES.	470k	1/16W	5%	RMC1/16S 474JTH	J24189057		1-	B	e4
R 1199	CHIP RES.	1k	1/16W	5%	RMC1/16S 102JTH	J24189025		1-	A	D5
R 1200	CHIP RES.	1M	1/16W	5%	RMC1/16S 105JTH	J24189061		1-	A	D5
R 1201	CHIP RES.	470k	1/16W	5%	RMC1/16S 474JTH	J24189057		1-	A	D5
R 1202	CHIP RES.	100k	1/16W	5%	RMC1/16S 104JTH	J24189049		1-	B	b5
R 1203	CHIP RES.	10k	1/16W	5%	RMC1/16S 103JTH	J24189037		1-	B	e5
R 1204	CHIP RES.	100k	1/16W	5%	RMC1/16S 104JTH	J24189049		1-	B	b5
R 1205	CHIP RES.	10k	1/16W	5%	RMC1/16S 103JTH	J24189037		1-	B	e5
R 1206	CHIP RES.	2.7k	1/16W	5%	RMC1/16S 272JTH	J24189030		1-	B	e4
R 1207	CHIP RES.	100k	1/16W	5%	RMC1/16S 104JTH	J24189049		1-	A	B4
R 1208	CHIP RES.	3.3k	1/16W	5%	RMC1/16S 332JTH	J24189031		1-	B	e4
R 1209	CHIP RES.	1k	1/16W	5%	RMC1/16S 102JTH	J24189025		1-	A	B4
R 1210	CHIP RES.	100k	1/16W	5%	RMC1/16S 104JTH	J24189049		1-	A	B4
R 1211	CHIP RES.	10k	1/16W	5%	RMC1/16S 103JTH	J24189037		1-	B	f4
R 1212	CHIP RES.	470k	1/16W	5%	RMC1/16S 474JTH	J24189057		1-	B	f4
R 1213	CHIP RES.	330k	1/16W	5%	RMC1/16S 334JTH	J24189055		1-	B	f4
R 1214	CHIP RES.	33k	1/16W	0.5%	RR0510R-333-D	J24189155		1-	B	e4
R 1215	CHIP RES.	2.7k	1/16W	0.5%	RR0510P-272-D	J24189129		1-	B	e4
R 1216	CHIP RES.	3.3k	1/16W	0.5%	RR0510P-332-D	J24189131		1-	B	e4

REF	DESCRIPTION	VALUE	V/W	TOL.	MFR'S DESIG	VXSTD P/N	VERS.	LOT	SIDE	LAY ADR
R 1217	CHIP RES.	100k	1/16W	5%	RMC1/16S 104JTH	J24189049		1-	B	e3
R 1218	CHIP RES.	150k	1/16W	5%	RMC1/16S 154JTH	J24189051		1-	B	e4
R 1219	CHIP RES.	47	1/16W	5%	RMC1/16S 470JTH	J24189009		1-	A	B4
R 1220	CHIP RES.	4.7k	1/16W	5%	RMC1/16S 472JTH	J24189033		1-	B	e3
R 1221	CHIP RES.	220	1/16W	5%	RMC1/16S 221JTH	J24189017		1-	B	e4
R 1222	CHIP RES.	22k	1/16W	5%	RMC1/16S 223JTH	J24189041		1-	B	e4
R 1223	CHIP RES.	22k	1/16W	5%	RMC1/16S 223JTH	J24189041		1-	B	e3
R 1224	CHIP RES.	22k	1/16W	5%	RMC1/16S 223JTH	J24189041		1-	B	e3
R 1225	CHIP RES.	22k	1/16W	5%	RMC1/16S 223JTH	J24189041		1-	B	e3
R 1226	CHIP RES.	22k	1/16W	5%	RMC1/16S 223JTH	J24189041		1-	B	e3
R 1227	CHIP RES.	22k	1/16W	5%	RMC1/16S 223JTH	J24189041		1-	B	e3
R 1228	CHIP RES.	2.7k	1/16W	0.5%	RR0510P-272-D	J24189129		1-	B	d5
R 1229	CHIP RES.	1k	1/16W	5%	RMC1/16S 102JTH	J24189025		1-	A	D5
R 1230	CHIP RES.	3.3k	1/16W	0.5%	RR0510P-332-D	J24189131		1-	B	d5
R 1231	CHIP RES.	100k	1/16W	5%	RMC1/16S 104JTH	J24189049		1-	A	D5
R 1232	CHIP RES.	68k	1/16W	5%	RMC1/16S 683JTH	J24189047		1-	B	f4
R 1233	CHIP RES.	100k	1/16W	5%	RMC1/16S 104JTH	J24189049		1-	A	B5
R 1234	CHIP RES.	33k	1/16W	0.5%	RR0510R-333-D	J24189155		1-	B	d5
R 1235	CHIP RES.	2.7k	1/16W	0.5%	RR0510P-272-D	J24189129		1-	B	d5
R 1236	CHIP RES.	3.3k	1/16W	0.5%	RR0510P-332-D	J24189131		1-	B	d5
R 1237	CHIP RES.	100k	1/16W	5%	RMC1/16S 104JTH	J24189049		1-	B	d5
R 1238	CHIP RES.	150k	1/16W	5%	RMC1/16S 154JTH	J24189051		1-	B	d5
R 1239	CHIP RES.	220	1/16W	5%	RMC1/16S 221JTH	J24189017		1-	A	D5
R 1240	CHIP RES.	47	1/16W	5%	RMC1/16S 470JTH	J24189009		1-	A	C5
R 1241	CHIP RES.	4.7k	1/16W	5%	RMC1/16S 472JTH	J24189033		1-	B	d5
R 1242	CHIP RES.	22k	1/16W	5%	RMC1/16S 223JTH	J24189041		1-	B	d5
R 1243	CHIP RES.	22k	1/16W	5%	RMC1/16S 223JTH	J24189041		1-	B	d5
R 1244	CHIP RES.	22k	1/16W	5%	RMC1/16S 223JTH	J24189041		1-	B	c5
R 1245	CHIP RES.	22k	1/16W	5%	RMC1/16S 223JTH	J24189041		1-	B	d5
R 1246	CHIP RES.	22k	1/16W	5%	RMC1/16S 223JTH	J24189041		1-	B	d5
R 1247	CHIP RES.	1k	1/16W	5%	RMC1/16S 102JTH	J24189025		1-	B	c5
R 1248	CHIP RES.	22k	1/16W	5%	RMC1/16S 223JTH	J24189041		1-	B	c5
R 1249	CHIP RES.	68k	1/16W	5%	RMC1/16S 683JTH	J24189047		1-	B	f4
R 1250	CHIP RES.	330k	1/16W	5%	RMC1/16S 334JTH	J24189055		1-	B	f4
R 1251	CHIP RES.	470k	1/16W	5%	RMC1/16S 474JTH	J24189057		1-	B	f4
R 1252	CHIP RES.	47k	1/16W	5%	RMC1/16S 473JTH	J24189045		1-	A	A4
R 1253	CHIP RES.	68k	1/16W	0.5%	RR0510R-683-D	J24189163		1-	B	f4
R 1254	CHIP RES.	56k	1/16W	5%	RMC1/16S 563JTH	J24189046		1-	A	A4
R 1255	CHIP RES.	220k	1/16W	5%	RMC1/16S 224JTH	J24189053		1-	A	A4
R 1256	CHIP RES.	10k	1/16W	5%	RMC1/16S 103JTH	J24189037		1-	A	A4
R 1257	CHIP RES.	1k	1/16W	5%	RMC1/16S 102JTH	J24189025		1-	B	f4
R 1258	CHIP RES.	27k	1/16W	5%	RMC1/16S 273JTH	J24189042		1-	B	f4
R 1259	CHIP RES.	390k	1/16W	5%	RMC1/16S 394JTH	J24189056		1-	B	f4
R 1260	CHIP RES.	150k	1/16W	5%	RMC1/16S 154JTH	J24189051		1-	A	A4
R 1261	CHIP RES.	100k	1/16W	5%	RMC1/16S 104JTH	J24189049		1-	B	f4
R 1262	CHIP RES.	4.7k	1/16W	5%	RMC1/16S 472JTH	J24189033		1-	A	A3
R 1263	CHIP RES.	10k	1/16W	5%	RMC1/16S 103JTH	J24189037		1-	B	f4
R 1264	CHIP RES.	330k	1/16W	5%	RMC1/16S 334JTH	J24189055		1-	B	f4
R 1265	CHIP RES.	330k	1/16W	5%	RMC1/16S 334JTH	J24189055		1-	B	f4
R 1266	CHIP RES.	68k	1/16W	0.5%	RR0510R-683-D	J24189163		1-	B	f4
R 1267	CHIP RES.	56k	1/16W	5%	RMC1/16S 563JTH	J24189046		1-	B	f4
R 1268	CHIP RES.	220k	1/16W	5%	RMC1/16S 224JTH	J24189053		1-	B	f4
R 1269	CHIP RES.	10k	1/16W	5%	RMC1/16S 103JTH	J24189037		1-	B	f4
R 1270	CHIP RES.	1k	1/16W	5%	RMC1/16S 102JTH	J24189025		1-	B	f4
R 1271	CHIP RES.	27k	1/16W	5%	RMC1/16S 273JTH	J24189042		1-	B	f4
R 1272	CHIP RES.	390k	1/16W	5%	RMC1/16S 394JTH	J24189056		1-	B	f4
R 1273	CHIP RES.	4.7k	1/16W	5%	RMC1/16S 472JTH	J24189033		1-	A	A3
R 1274	CHIP RES.	150k	1/16W	5%	RMC1/16S 154JTH	J24189051		1-	B	f4
R 1275	CHIP RES.	100k	1/16W	5%	RMC1/16S 104JTH	J24189049		1-	B	f4
R 1276	CHIP RES.	10k	1/16W	5%	RMC1/16S 103JTH	J24189037		1-	A	B3
R 1277	CHIP RES.	10k	1/16W	5%	RMC1/16S 103JTH	J24189037		1-	A	B3
R 1278	CHIP RES.	220k	1/16W	5%	RMC1/16S 224JTH	J24189053		1-	A	B3
R 1279	CHIP RES.	220k	1/16W	5%	RMC1/16S 224JTH	J24189053		1-	A	B3
R 1280	CHIP RES.	220k	1/16W	5%	RMC1/16S 224JTH	J24189053		1-	A	B3
R 1281	CHIP RES.	4.7k	1/16W	5%	RMC1/16S 472JTH	J24189033		1-	A	A1
R 1282	CHIP RES.	220	1/16W	5%	RMC1/16S 221JTH	J24189017		1-	A	A1
R 1283	CHIP RES.	4.7k	1/16W	5%	RMC1/16S 472JTH	J24189033		1-	A	A3
R 1284	CHIP RES.	220k	1/16W	5%	RMC1/16S 224JTH	J24189053		1-	A	A3
R 1285	CHIP RES.	220k	1/16W	5%	RMC1/16S 224JTH	J24189053		1-	A	A3
R 1286	CHIP RES.	220k	1/16W	5%	RMC1/16S 224JTH	J24189053		1-	A	B3
R 1287	CHIP RES.	1k	1/16W	5%	RMC1/16S 102JTH	J24189025		1-	A	A3
R 1288	CHIP RES.	1k	1/16W	5%	RMC1/16S 102JTH	J24189025		1-	A	A3
R 1289	CHIP RES.	10k	1/16W	5%	RMC1/16S 103JTH	J24189037		1-	B	f4
R 1290	CHIP RES.	10k	1/16W	5%	RMC1/16S 103JTH	J24189037		1-	A	B3
R 1291	CHIP RES.	22k	1/16W	5%	RMC1/16S 223JTH	J24189041		1-	A	B3
R 1292	CHIP RES.	390k	1/16W	5%	RMC1/16S 394JTH	J24189056		1-	A	A4
R 1293	CHIP RES.	390k	1/16W	5%	RMC1/16S 394JTH	J24189056		1-	A	A4

MAIN Unit

REF	DESCRIPTION	VALUE	V/W	TOL.	MFR'S DESIG	VXSTD P/N	VERS.	LOT	SIDE	LAY ADR
R 1294	CHIP RES.	47k	1/16W	5%	RMC1/16S 473JTH	J24189045		1-	A	A4
R 1295	CHIP RES.	390k	1/16W	5%	RMC1/16S 394JTH	J24189056		1-	A	A4
R 1296	CHIP RES.	390k	1/16W	5%	RMC1/16S 394JTH	J24189056		1-	A	A4
R 1297	CHIP RES.	68k	1/16W	5%	RMC1/16S 683JTH	J24189047		1-	A	A4
R 1298	CHIP RES.	68k	1/16W	5%	RMC1/16S 683JTH	J24189047		1-	A	A4
R 1299	CHIP RES.	390k	1/16W	5%	RMC1/16S 394JTH	J24189056		1-	B	g4
R 1300	CHIP RES.	390k	1/16W	5%	RMC1/16S 394JTH	J24189056		1-	B	g4
R 1301	CHIP RES.	47k	1/16W	5%	RMC1/16S 473JTH	J24189045		1-	B	g4
R 1302	CHIP RES.	390k	1/16W	5%	RMC1/16S 394JTH	J24189056		1-	B	g4
R 1303	CHIP RES.	390k	1/16W	5%	RMC1/16S 394JTH	J24189056		1-	B	f5
R 1304	CHIP RES.	68k	1/16W	5%	RMC1/16S 683JTH	J24189047		1-	B	f5
R 1305	CHIP RES.	68k	1/16W	5%	RMC1/16S 683JTH	J24189047		1-	B	f5
R 1306	CHIP RES.	270	1/16W	5%	RMC1/16S 271JTH	J24189018		1-	B	g1
R 1307	CHIP RES.	270	1/16W	5%	RMC1/16S 271JTH	J24189018		1-	B	f1
R 1308	CHIP RES.	270	1/16W	5%	RMC1/16S 271JTH	J24189018		1-	B	f1
R 1309	CHIP RES.	270	1/16W	5%	RMC1/16S 271JTH	J24189018		1-	B	f1
R 1310	CHIP RES.	4.7k	1/16W	5%	RMC1/16S 472JTH	J24189033		1-	B	g1
R 1311	CHIP RES.	100k	1/16W	5%	RMC1/16S 104JTH	J24189049		1-	B	f4
R 1312	CHIP RES.	100k	1/16W	5%	RMC1/16S 104JTH	J24189049		1-	B	f4
R 1313	CHIP RES.	47k	1/16W	5%	RMC1/16S 473JTH	J24189045		1-	B	f1
R 1314	CHIP RES.	10	1/16W	5%	RMC1/16S 100JTH	J24189001		1-	B	g2
R 1315	CHIP RES.	10	1/16W	5%	RMC1/16S 100JTH	J24189001		1-	B	g2
R 1316	CHIP RES.	100	1/16W	5%	RMC1/16S 101JTH	J24189013		1-	B	f2
R 1317	CHIP RES.	47	1/16W	5%	RMC1/16S 470JTH	J24189009		1-	A	A2
R 1318	CHIP RES.	100k	1/16W	5%	RMC1/16S 104JTH	J24189049		1-	B	f2
R 1319	CHIP RES.	100k	1/16W	5%	RMC1/16S 104JTH	J24189049		1-	B	f2
R 1320	CHIP RES.	100k	1/16W	5%	RMC1/16S 104JTH	J24189049		1-	B	f2
R 1321	CHIP RES.	100k	1/16W	5%	RMC1/16S 104JTH	J24189049		1-	A	A2
R 1322	CHIP RES.	100k	1/16W	5%	RMC1/16S 104JTH	J24189049		1-	A	A2
R 1323	CHIP RES.	100k	1/16W	5%	RMC1/16S 104JTH	J24189049		1-	B	f3
R 1324	CHIP RES.	2.2k	1/16W	5%	RMC1/16S 222JTH	J24189029		1-	B	f2
R 1325	CHIP RES.	12k	1/16W	5%	RMC1/16S 123JTH	J24189038		1-	B	f2
R 1326	CHIP RES.	12k	1/16W	5%	RMC1/16S 123JTH	J24189038		1-	B	f2
R 1327	CHIP RES.	4.7M	1/16W	5%	RMC1/16S 475JTH	J24189337		1-	B	f2
R 1328	CHIP RES.	10k	1/16W	5%	RMC1/16S 103JTH	J24189037		1-	B	f2
R 1329	CHIP RES.	12k	1/16W	5%	RMC1/16S 123JTH	J24189038		1-	B	f3
R 1330	CHIP RES.	1.5M	1/16W	5%	RMC1/16S 155JTH	J24189063		1-	B	f3
R 1331	CHIP RES.	100	1/16W	5%	RMC1/16S 101JTH	J24189013		1-	B	f3
R 1332	CHIP RES.	12k	1/16W	5%	RMC1/16S 123JTH	J24189038		1-	B	f3
R 1333	CHIP RES.	22k	1/16W	5%	RMC1/16S 223JTH	J24189041		1-	B	f3
R 1334	CHIP RES.	2.2k	1/16W	5%	RMC1/16S 222JTH	J24189029		1-	B	f2
R 1335	CHIP RES.	22k	1/16W	5%	RMC1/16S 223JTH	J24189041		1-	B	f5
R 1336	CHIP RES.	22k	1/16W	5%	RMC1/16S 223JTH	J24189041		1-	B	f3
R 1337	CHIP RES.	22	1/16W	5%	RMC1/16S 220JTH	J24189005		1-	B	f3
R 1338	CHIP RES.	22	1/16W	5%	RMC1/16S 220JTH	J24189005		1-	B	f3
R 1339	CHIP RES.	10	1/16W	5%	RMC1/16S 100JTH	J24189001		1-	A	B2
R 1340	CHIP RES.	10	1/16W	5%	RMC1/16S 100JTH	J24189001		1-	A	B2
R 1341	CHIP RES.	10	1/16W	5%	RMC1/16S 100JTH	J24189001		1-	A	B2
R 1342	CHIP RES.	1k	1/16W	5%	RMC1/16S 102JTH	J24189025		1-	A	B1
R 1343	CHIP RES.	100k	1/16W	5%	RMC1/16S 104JTH	J24189049		1-	A	A4
R 1344	CHIP RES.	2.2M	1/16W	5%	RMC1/16S 225JTH	J24189065		1-	A	A4
R 1345	CHIP RES.	27k	1/16W	5%	RMC1/16S 273JTH	J24189042		1-	A	B4
R 1346	CHIP RES.	47k	1/16W	5%	RMC1/16S 473JTH	J24189045		1-	B	e4
R 1347	CHIP RES.	220	1/16W	5%	RMC1/16S 221JTH	J24189017		1-	A	B4
R 1348	CHIP RES.	4.7k	1/16W	5%	RMC1/16S 472JTH	J24189033		1-	A	A1
R 1349	CHIP RES.	4.7k	1/16W	5%	RMC1/16S 472JTH	J24189033		1-	A	A1
R 1350	CHIP RES.	680k	1/16W	5%	RMC1/16S 684JTH	J24189059		1-	A	A1
R 1351	CHIP RES.	470k	1/16W	5%	RMC1/16S 474JTH	J24189057		1-	A	A1
R 1352	CHIP RES.	22k	1/16W	5%	RMC1/16S 223JTH	J24189041		1-	A	B1
R 1353	CHIP RES.	47	1/16W	5%	RMC1/16S 470JTH	J24189009		1-	B	f4
R 1354	CHIP RES.	220k	1/16W	5%	RMC1/16S 224JTH	J24189053		1-	A	A4
R 1355	CHIP RES.	2.2k	1/16W	5%	RMC1/16S 222JTH	J24189029		1-	A	B4
R 1356	CHIP RES.	56k	1/16W	0.5%	RR0510R-563-D	J24189161		1-	A	A4
R 1357	CHIP RES.	100k	1/16W	0.5%	RR0510R-104-D	J24189167		1-	A	A4
R 1358	CHIP RES.	100k	1/16W	0.5%	RR0510R-104-D	J24189167		1-	A	A4
R 1359	CHIP RES.	39k	1/16W	5%	RMC1/16S 393JTH	J24189044		1-	A	B4
R 1360	CHIP RES.	10k	1/16W	5%	RMC1/16S 103JTH	J24189037		1-	A	B4
R 1361	CHIP RES.	100k	1/16W	5%	RMC1/16S 104JTH	J24189049		1-	B	e5
R 1362	CHIP RES.	100k	1/16W	5%	RMC1/16S 104JTH	J24189049		1-	A	B4
R 1363	CHIP RES.	33	1/2W	5%	RMC1/2 330JCTP	J24275330		1-	B	e1
R 1364	CHIP RES.	4.7k	1/16W	5%	RMC1/16S 472JTH	J24189033		1-	B	e1
R 1365	CHIP RES.	1k	1/16W	5%	RMC1/16S 102JTH	J24189025		1-	B	e5
R 1366	CHIP RES.	1k	1/16W	5%	RMC1/16S 102JTH	J24189025		1-	B	e5
R 1367	CHIP RES.	1k	1/16W	5%	RMC1/16S 102JTH	J24189025		1-	B	e5
R 1368	CHIP RES.	1k	1/16W	5%	RMC1/16S 102JTH	J24189025		1-	B	e5
R 1369	CHIP RES.	1k	1/16W	5%	RMC1/16S 102JTH	J24189025		1-	A	B5
R 1370	CHIP RES.	47k	1/16W	5%	RMC1/16S 473JTH	J24189045		1-	B	f5

REF	DESCRIPTION	VALUE	V/W	TOL.	MFR'S DESIG	VXSTD P/N	VERS.	LOT	SIDE	LAY ADR
R 1371	CHIP RES.	4.7k	1/16W	5%	RMC1/16S 472JTH	J24189033		1-	A	A2
R 1372	CHIP RES.	220	1/16W	5%	RMC1/16S 221JTH	J24189017		1-	A	B2
R 1373	CHIP RES.	220	1/16W	5%	RMC1/16S 221JTH	J24189017		1-	A	A2
R 1374	CHIP RES.	220	1/16W	5%	RMC1/16S 221JTH	J24189017		1-	A	A2
R 1375	CHIP RES.	220	1/16W	5%	RMC1/16S 221JTH	J24189017		1-	A	A2
R 1376	CHIP RES.	47k	1/16W	5%	RMC1/16S 473JTH	J24189045		1-	A	A1
R 1377	CHIP RES.	22k	1/16W	5%	RMC1/16S 223JTH	J24189041		1-	A	A2
R 1378	CHIP RES.	47k	1/16W	5%	RMC1/16S 473JTH	J24189045		1-	B	f3
R 1379	CHIP RES.	470k	1/16W	5%	RMC1/16S 474JTH	J24189057		1-	B	f3
R 1381	CHIP RES.	15k	1/16W	5%	RMC1/16S 153JTH	J24189039		1-	B	f3
R 1382	CHIP RES.	220k	1/16W	5%	RMC1/16S 224JTH	J24189053		1-	B	f4
R 1383	CHIP RES.	10k	1/16W	5%	RMC1/16S 103JTH	J24189037		1-	B	f4
R 1384	CHIP RES.	22k	1/16W	5%	RMC1/16S 223JTH	J24189041		1-	B	g3
R 1385	CHIP RES.	47k	1/16W	5%	RMC1/16S 473JTH	J24189045		1-	B	f3
R 1386	CHIP RES.	470k	1/16W	5%	RMC1/16S 474JTH	J24189057		1-	B	g4
R 1387	CHIP RES.	470k	1/16W	5%	RMC1/16S 474JTH	J24189057		1-	B	g4
R 1388	CHIP RES.	47k	1/16W	5%	RMC1/16S 473JTH	J24189045		1-	B	f5
R 1389	CHIP RES.	1M	1/16W	5%	RMC1/16S 105JTH	J24189061		1-	B	f5
R 1390	CHIP RES.	470	1/16W	5%	RMC1/16S 471JTH	J24189021		1-	B	f5
R 1391	CHIP RES.	1k	1/16W	5%	RMC1/16S 102JTH	J24189025		1-	B	f5
R 1392	CHIP RES.	1k	1/16W	5%	RMC1/16S 102JTH	J24189025		1-	B	f5
R 1393	CHIP RES.	22k	1/16W	5%	RMC1/16S 223JTH	J24189041		1-	B	f5
R 1394	CHIP RES.	100k	1/16W	0.5%	RR0510R-104-D	J24189167		1-	B	f3
R 1395	CHIP RES.	2.2M	1/16W	5%	RMC1/16S 225JTH	J24189065		1-	A	A4
R 1396	CHIP RES.	4.7k	1/16W	5%	RMC1/16S 472JTH	J24189033		1-	A	A4
R 1397	CHIP RES.	3.9k	1/16W	5%	RMC1/16S 392JTH	J24189032		1-	A	A4
R 1398	CHIP RES.	22k	1/16W	5%	RMC1/16S 223JTH	J24189041		1-	A	A4
R 1399	CHIP RES.	100k	1/16W	5%	RMC1/16S 104JTH	J24189049		1-	A	A4
R 1400	CHIP RES.	220k	1/16W	5%	RMC1/16S 224JTH	J24189053		1-	A	A4
R 1401	CHIP RES.	220k	1/16W	5%	RMC1/16S 224JTH	J24189053		1-	A	A4
R 1402	CHIP RES.	330k	1/16W	5%	RMC1/16S 334JTH	J24189055		1-	A	A4
R 1403	CHIP RES.	68k	1/16W	5%	RMC1/16S 683JTH	J24189047		1-	A	A4
R 1404	CHIP RES.	10k	1/16W	5%	RMC1/16S 103JTH	J24189037		1-	A	A4
R 1405	CHIP RES.	390k	1/16W	5%	RMC1/16S 394JTH	J24189056		1-	A	A4
R 1406	CHIP RES.	68k	1/16W	5%	RMC1/16S 683JTH	J24189047		1-	B	f5
R 1407	CHIP RES.	150k	1/16W	5%	RMC1/16S 154JTH	J24189051		1-	A	A4
R 1408	CHIP RES.	150k	1/16W	5%	RMC1/16S 154JTH	J24189051		1-	A	A4
R 1409	CHIP RES.	33k	1/16W	0.5%	RR0510R-333-D	J24189155		1-	A	A4
R 1410	CHIP RES.	56k	1/16W	0.5%	RR0510R-563-D	J24189161		1-	A	B4
R 1411	CHIP RES.	10k	1/16W	5%	RMC1/16S 103JTH	J24189037		1-	A	B4
R 1413	CHIP RES.	8.2k	1/16W	5%	RMC1/16S 822JTH	J24189036		1-	A	F5
R 1414	CHIP RES.	15k	1/16W	5%	RMC1/16S 153JTH	J24189039		1-	A	F5
R 1415	CHIP RES.	8.2k	1/16W	5%	RMC1/16S 822JTH	J24189036		1-	A	D4
R 1416	CHIP RES.	15k	1/16W	5%	RMC1/16S 153JTH	J24189039		1-	A	D4
R 1417	CHIP RES.	2.2k	1/16W	5%	RMC1/16S 222JTH	J24189029		1-	B	a4
R 1418	CHIP RES.	2.2k	1/16W	5%	RMC1/16S 222JTH	J24189029		1-	B	a5
R 1419	CHIP RES.	100k	1/16W	5%	RMC1/16S 104JTH	J24189049		1-	B	a5
R 1420	CHIP RES.	100k	1/16W	5%	RMC1/16S 104JTH	J24189049		1-	B	a4
R 1421	CHIP RES.	1k	1/16W	5%	RMC1/16S 102JTH	J24189025		1-	A	D4
R 1422	CHIP RES.	1k	1/16W	5%	RMC1/16S 102JTH	J24189025		1-	B	f5
R 1423	CHIP RES.	1k	1/16W	5%	RMC1/16S 102JTH	J24189025		1-	B	f5
R 1424	CHIP RES.	1k	1/16W	5%	RMC1/16S 102JTH	J24189025		1-	B	f5
R 1425	CHIP RES.	1k	1/16W	5%	RMC1/16S 102JTH	J24189025		1-	A	A5
R 1426	CHIP RES.	100	1/16W	5%	RMC1/16S 101JTH	J24189013		1-	B	f5
R 1427	CHIP RES.	100	1/16W	5%	RMC1/16S 101JTH	J24189013		1-	B	f5
R 1428	CHIP RES.	1k	1/16W	5%	RMC1/16S 102JTH	J24189025		1-	A	A5
R 1429	CHIP RES.	1k	1/16W	5%	RMC1/16S 102JTH	J24189025		1-	A	A5
R 1430	CHIP RES.	0	1/16W	5%	RMC1/16S JPTH	J24189070	VER.A2 DST:USA	1-	A	A5
R 1430	CHIP RES.	0	1/16W	5%	RMC1/16S JPTH	J24189070	VERSION A1	1-	A	A5
R 1430	CHIP RES.	0	1/16W	5%	RMC1/16S JPTH	J24189070	VERSION A2	1-	A	A5
R 1430	CHIP RES.	0	1/16W	5%	RMC1/16S JPTH	J24189070	VERSION C1	1-	A	A5
R 1430	CHIP RES.	0	1/16W	5%	RMC1/16S JPTH	J24189070	VERSION C2	1-	A	A5
R 1430	CHIP RES.	0	1/16W	5%	RMC1/16S JPTH	J24189070	VERSION D1	1-	A	A5
R 1430	CHIP RES.	0	1/16W	5%	RMC1/16S JPTH	J24189070	VERSION D2	1-	A	A5
R 1431	CHIP RES.	0	1/16W	5%	RMC1/16S JPTH	J24189070	VERSION B1	1-	A	A5
R 1431	CHIP RES.	0	1/16W	5%	RMC1/16S JPTH	J24189070	VERSION B2	1-	A	A5
R 1431	CHIP RES.	0	1/16W	5%	RMC1/16S JPTH	J24189070	VERSION C3	1-	A	A5
R 1431	CHIP RES.	0	1/16W	5%	RMC1/16S JPTH	J24189070	VERSION D1	1-	A	A5
R 1431	CHIP RES.	0	1/16W	5%	RMC1/16S JPTH	J24189070	VERSION D2	1-	A	A5
R 1432	CHIP RES.	0	1/16W	5%	RMC1/16S JPTH	J24189070	VERSION B3	1-	A	A5
R 1432	CHIP RES.	0	1/16W	5%	RMC1/16S JPTH	J24189070	VERSION C1	1-	A	A5
R 1432	CHIP RES.	0	1/16W	5%	RMC1/16S JPTH	J24189070	VERSION C2	1-	A	A5
R 1432	CHIP RES.	0	1/16W	5%	RMC1/16S JPTH	J24189070	VERSION C3	1-	A	A5
R 1432	CHIP RES.	0	1/16W	5%	RMC1/16S JPTH	J24189070	VERSION D1	1-	A	A5
R 1432	CHIP RES.	0	1/16W	5%	RMC1/16S JPTH	J24189070	VERSION D2	1-	A	A5
R 1435	CHIP RES.	0	1/16W	5%	RMC1/16S JPTH	J24189070	VER.A2 DST:USA	1-	A	A5
R 1436	CHIP RES.	0	1/16W	5%	RMC1/16S JPTH	J24189070	VERSION A1	1-	A	A5

MAIN Unit

REF	DESCRIPTION	VALUE	V/W	TOL.	MFR'S DESIG	VXSTD P/N	VERS.	LOT	SIDE	LAY ADR
R 1436	CHIP RES.	0	1/16W	5%	RMC1/16S JPTH	J24189070	VERSION B1	1-	A	A5
R 1436	CHIP RES.	0	1/16W	5%	RMC1/16S JPTH	J24189070	VERSION C1	1-	A	A5
R 1436	CHIP RES.	0	1/16W	5%	RMC1/16S JPTH	J24189070	VERSION D1	1-	A	A5
R 1437	CHIP RES.	1k	1/16W	5%	RMC1/16S 102JTH	J24189025		1-	A	A5
R 1438	CHIP RES.	1k	1/16W	5%	RMC1/16S 102JTH	J24189025		1-	A	A5
R 1439	CHIP RES.	1k	1/16W	5%	RMC1/16S 102JTH	J24189025		1-	A	A5
R 1440	CHIP RES.	1k	1/16W	5%	RMC1/16S 102JTH	J24189025		1-	B	f5
R 1441	CHIP RES.	1k	1/16W	5%	RMC1/16S 102JTH	J24189025		1-	A	A5
R 1442	CHIP RES.	1k	1/16W	5%	RMC1/16S 102JTH	J24189025		1-	A	A5
R 1443	CHIP RES.	1k	1/16W	5%	RMC1/16S 102JTH	J24189025		1-	B	f5
R 1444	CHIP RES.	1k	1/16W	5%	RMC1/16S 102JTH	J24189025		1-	A	A4
R 1445	CHIP RES.	1k	1/16W	5%	RMC1/16S 102JTH	J24189025		1-	A	A4
R 1446	CHIP RES.	1k	1/16W	5%	RMC1/16S 102JTH	J24189025		1-	A	A4
R 1447	CHIP RES.	1k	1/16W	5%	RMC1/16S 102JTH	J24189025		1-	A	A4
R 1448	CHIP RES.	1k	1/16W	5%	RMC1/16S 102JTH	J24189025		1-	A	A4
R 1449	CHIP RES.	1k	1/16W	5%	RMC1/16S 102JTH	J24189025		1-	A	A4
R 1450	CHIP RES.	1k	1/16W	5%	RMC1/16S 102JTH	J24189025		1-	A	A4
R 1451	CHIP RES.	1k	1/16W	5%	RMC1/16S 102JTH	J24189025		1-	B	f5
R 1452	CHIP RES.	1k	1/16W	5%	RMC1/16S 102JTH	J24189025		1-	B	f5
R 1453	CHIP RES.	1.5M	1/16W	5%	RMC1/16S 155JTH	J24189063		1-	A	A4
R 1454	CHIP RES.	820k	1/16W	5%	RMC1/16S 824JTH	J24189060		1-	A	B4
R 1455	CHIP RES.	390k	1/16W	5%	RMC1/16S 394JTH	J24189056		1-	A	B4
R 1456	CHIP RES.	100k	1/16W	0.5%	RR0510R-104-D	J24189167		1-	A	B5
R 1457	CHIP RES.	100k	1/16W	0.5%	RR0510R-104-D	J24189167		1-	A	B4
R 1458	CHIP RES.	100k	1/16W	0.5%	RR0510R-104-D	J24189167		1-	A	B4
R 1459	CHIP RES.	100k	1/16W	0.5%	RR0510R-104-D	J24189167		1-	A	B4
R 1460	CHIP RES.	100k	1/16W	0.5%	RR0510R-104-D	J24189167		1-	A	B4
R 1461	CHIP RES.	10k	1/16W	5%	RMC1/16S 103JTH	J24189037		1-	A	B5
R 1462	CHIP RES.	1k	1/16W	5%	RMC1/16S 102JTH	J24189025		1-	B	f5
R 1463	CHIP RES.	100k	1/16W	0.5%	RR0510R-104-D	J24189167		1-	B	f5
R 1464	CHIP RES.	100k	1/16W	0.5%	RR0510R-104-D	J24189167		1-	B	f3
R 1465	CHIP RES.	100k	1/16W	0.5%	RR0510R-104-D	J24189167		1-	B	f3
R 1466	CHIP RES.	2.2k	1/16W	0.5%	RR0510P-222-D	J24189127		1-	A	B3
R 1467	CHIP RES.	1k	1/16W	5%	RMC1/16S 102JTH	J24189025		1-	A	B5
R 1468	CHIP RES.	1k	1/16W	5%	RMC1/16S 102JTH	J24189025		1-	A	B5
R 1469	CHIP RES.	1k	1/16W	5%	RMC1/16S 102JTH	J24189025		1-	A	B5
R 1470	CHIP RES.	1k	1/16W	5%	RMC1/16S 102JTH	J24189025		1-	A	B5
R 1471	CHIP RES.	1k	1/16W	5%	RMC1/16S 102JTH	J24189025		1-	A	B5
R 1472	CHIP RES.	1k	1/16W	5%	RMC1/16S 102JTH	J24189025		1-	A	B5
R 1473	CHIP RES.	1k	1/16W	5%	RMC1/16S 102JTH	J24189025		1-	A	B5
R 1474	CHIP RES.	10k	1/16W	5%	RMC1/16S 103JTH	J24189037		1-	B	f5
R 1475	CHIP RES.	100	1/16W	5%	RMC1/16S 101JTH	J24189013		1-	B	f5
R 1476	CHIP RES.	1k	1/16W	5%	RMC1/16S 102JTH	J24189025		1-	B	f5
R 1477	CHIP RES.	1k	1/16W	5%	RMC1/16S 102JTH	J24189025		1-	B	f5
R 1478	CHIP RES.	1k	1/16W	5%	RMC1/16S 102JTH	J24189025		1-	A	B5
R 1479	CHIP RES.	1k	1/16W	5%	RMC1/16S 102JTH	J24189025		1-	A	B5
R 1480	CHIP RES.	1k	1/16W	5%	RMC1/16S 102JTH	J24189025		1-	A	B5
R 1481	CHIP RES.	1k	1/16W	5%	RMC1/16S 102JTH	J24189025		1-	A	B5
R 1482	CHIP RES.	100	1/16W	5%	RMC1/16S 101JTH	J24189013		1-	A	B5
R 1483	CHIP RES.	100	1/16W	5%	RMC1/16S 101JTH	J24189013		1-	A	B5
R 1484	CHIP RES.	1k	1/16W	5%	RMC1/16S 102JTH	J24189025		1-	A	B5
R 1485	CHIP RES.	1k	1/16W	5%	RMC1/16S 102JTH	J24189025		1-	A	B5
R 1486	CHIP RES.	1k	1/16W	5%	RMC1/16S 102JTH	J24189025		1-	A	B4
R 1487	CHIP RES.	10k	1/16W	5%	RMC1/16S 103JTH	J24189037		1-	B	f5
R 1488	CHIP RES.	1k	1/16W	5%	RMC1/16S 102JTH	J24189025		1-	A	B4
R 1489	CHIP RES.	100k	1/16W	5%	RMC1/16S 104JTH	J24189049		1-	B	e5
R 1490	CHIP RES.	39k	1/16W	5%	RMC1/16S 393JTH	J24189044		1-	B	e4
R 1491	CHIP RES.	10k	1/16W	5%	RMC1/16S 103JTH	J24189037		1-	A	B4
R 1492	CHIP RES.	1k	1/16W	5%	RMC1/16S 102JTH	J24189025		1-	B	e5
R 1493	CHIP RES.	27k	1/16W	5%	RMC1/16S 273JTH	J24189042		1-	B	e5
R 1494	CHIP RES.	680	1/16W	5%	RMC1/16S 681JTH	J24189023		1-	A	C4
R 1495	CHIP RES.	330	1/16W	5%	RMC1/16S 331JTH	J24189019		1-	A	C4
R 1496	CHIP RES.	150	1/16W	5%	RMC1/16S 151JTH	J24189015		1-	A	C4
R 1497	CHIP RES.	2.2k	1/16W	5%	RMC1/16S 222JTH	J24189029		1-	A	C4
R 1498	CHIP RES.	2.2k	1/16W	5%	RMC1/16S 222JTH	J24189029		1-	A	C4
R 1499	CHIP RES.	47k	1/16W	5%	RMC1/16S 473JTH	J24189045		1-	B	e4
R 1500	CHIP RES.	10k	1/16W	5%	RMC1/16S 103JTH	J24189037		1-	B	d4
R 1501	CHIP RES.	22k	1/16W	5%	RMC1/16S 223JTH	J24189041		1-	A	C5
R 1502	CHIP RES.	100k	1/16W	5%	RMC1/16S 104JTH	J24189049		1-	A	C4
R 1503	CHIP RES.	680k	1/16W	5%	RMC1/16S 684JTH	J24189059		1-	A	C4
R 1504	CHIP RES.	100	1/16W	5%	RMC1/16S 101JTH	J24189013		1-	A	C4
R 1505	CHIP RES.	220k	1/16W	5%	RMC1/16S 224JTH	J24189053		1-	A	C4
R 1506	CHIP RES.	10k	1/16W	5%	RMC1/16S 103JTH	J24189037		1-	A	C5
R 1507	CHIP RES.	10k	1/16W	5%	RMC1/16S 103JTH	J24189037		1-	A	C5
R 1508	CHIP RES.	10k	1/16W	5%	RMC1/16S 103JTH	J24189037		1-	A	C4
R 1509	CHIP RES.	47	1/16W	5%	RMC1/16S 470JTH	J24189009		1-	A	C4
R 1510	CHIP RES.	100	1/16W	5%	RMC1/16S 101JTH	J24189013		1-	B	d4

REF	DESCRIPTION	VALUE	V/W	TOL.	MFR'S DESIG	VXSTD P/N	VERS.	LOT	SIDE	LAY ADR
R 1511	CHIP RES.	470k	1/16W	5%	RMC1/16S 474JTH	J24189057		1-	B	d5
R 1512	CHIP RES.	120k	1/16W	5%	RMC1/16S 124JTH	J24189050		1-	B	e4
R 1513	CHIP RES.	82k	1/16W	5%	RMC1/16S 823JTH	J24189048		1-	B	e5
R 1514	CHIP RES.	100k	1/16W	5%	RMC1/16S 104JTH	J24189049		1-	B	d5
R 1515	CHIP RES.	470k	1/16W	5%	RMC1/16S 474JTH	J24189057		1-	B	d5
R 1516	CHIP RES.	100k	1/16W	5%	RMC1/16S 104JTH	J24189049		1-	B	d5
R 1517	CHIP RES.	47k	1/16W	5%	RMC1/16S 473JTH	J24189045		1-	B	d4
R 1518	CHIP RES.	150k	1/16W	5%	RMC1/16S 154JTH	J24189051		1-	B	d4
R 1519	CHIP RES.	330k	1/16W	5%	RMC1/16S 334JTH	J24189055		1-	B	d5
R 1520	CHIP RES.	100	1/16W	5%	RMC1/16S 101JTH	J24189013		1-	A	D4
R 1521	CHIP RES.	82k	1/16W	5%	RMC1/16S 823JTH	J24189048		1-	B	d5
R 1522	CHIP RES.	18k	1/16W	5%	RMC1/16S 183JTH	J24189040		1-	B	d5
R 1523	CHIP RES.	22k	1/16W	5%	RMC1/16S 223JTH	J24189041		1-	A	D5
R 1524	CHIP RES.	100k	1/16W	5%	RMC1/16S 104JTH	J24189049		1-	A	D5
R 1525	CHIP RES.	680k	1/16W	5%	RMC1/16S 684JTH	J24189059		1-	A	D5
R 1526	CHIP RES.	220k	1/16W	5%	RMC1/16S 224JTH	J24189053		1-	A	D5
R 1527	CHIP RES.	10k	1/16W	5%	RMC1/16S 103JTH	J24189037		1-	A	D5
R 1528	CHIP RES.	10k	1/16W	5%	RMC1/16S 103JTH	J24189037		1-	A	D5
R 1529	CHIP RES.	10k	1/16W	5%	RMC1/16S 103JTH	J24189037		1-	A	D5
R 1530	CHIP RES.	100	1/16W	5%	RMC1/16S 101JTH	J24189013		1-	A	E5
R 1531	CHIP RES.	680	1/16W	5%	RMC1/16S 681JTH	J24189023		1-	A	E5
R 1532	CHIP RES.	470	1/16W	5%	RMC1/16S 471JTH	J24189021		1-	A	E5
R 1533	CHIP RES.	2.2k	1/16W	5%	RMC1/16S 222JTH	J24189029		1-	A	E5
R 1534	CHIP RES.	1.5k	1/16W	5%	RMC1/16S 152JTH	J24189027		1-	A	E5
R 1535	CHIP RES.	47	1/16W	5%	RMC1/16S 470JTH	J24189009		1-	A	D5
R 1536	CHIP RES.	2.2k	1/16W	5%	RMC1/16S 222JTH	J24189029		1-	A	D5
R 1537	CHIP RES.	47k	1/16W	5%	RMC1/16S 473JTH	J24189045		1-	B	c5
R 1538	CHIP RES.	470k	1/16W	5%	RMC1/16S 474JTH	J24189057		1-	B	c5
R 1539	CHIP RES.	1M	1/16W	5%	RMC1/16S 105JTH	J24189061		1-	B	c5
R 1540	CHIP RES.	2.7k	1/16W	5%	RMC1/16S 272JTH	J24189030		1-	A	D5
R 1541	CHIP RES.	47k	1/16W	5%	RMC1/16S 473JTH	J24189045		1-	B	c5
R 1542	CHIP RES.	330k	1/16W	5%	RMC1/16S 334JTH	J24189055		1-	B	c5
R 1543	CHIP RES.	150k	1/16W	5%	RMC1/16S 154JTH	J24189051		1-	B	c5
R 1544	CHIP RES.	18k	1/16W	5%	RMC1/16S 183JTH	J24189040		1-	B	c5
R 1545	CHIP RES.	100k	1/16W	5%	RMC1/16S 104JTH	J24189049		1-	B	c5
R 1546	CHIP RES.	18k	1/16W	5%	RMC1/16S 183JTH	J24189040		1-	B	d4
R 1547	CHIP RES.	4.7k	1/16W	5%	RMC1/16S 472JTH	J24189033		1-	B	d4
R 1548	CHIP RES.	68k	1/16W	5%	RMC1/16S 683JTH	J24189047		1-	B	e4
R 1549	CHIP RES.	82k	1/16W	5%	RMC1/16S 823JTH	J24189048		1-	A	B4
R 1550	CHIP RES.	100k	1/16W	5%	RMC1/16S 104JTH	J24189049		1-	A	B4
R 1551	CHIP RES.	47k	1/16W	5%	RMC1/16S 473JTH	J24189045		1-	B	e4
R 1552	CHIP RES.	10k	1/16W	5%	RMC1/16S 103JTH	J24189037		1-	A	D4
R 1553	CHIP RES.	100k	1/16W	5%	RMC1/16S 104JTH	J24189049		1-	B	d4
R 1554	CHIP RES.	220k	1/16W	5%	RMC1/16S 224JTH	J24189053		1-	B	d4
R 1555	CHIP RES.	180	1/16W	5%	RMC1/16S 181JTH	J24189016		1-	B	d4
R 1556	CHIP RES.	3.3k	1/16W	5%	RMC1/16S 332JTH	J24189031		1-	B	d4
R 1557	CHIP RES.	22k	1/16W	5%	RMC1/16S 223JTH	J24189041		1-	B	d4
R 1558	CHIP RES.	15k	1/16W	5%	RMC1/16S 153JTH	J24189039		1-	B	d4
R 1559	CHIP RES.	47	1/16W	5%	RMC1/16S 470JTH	J24189009		1-	B	d4
R 1560	CHIP RES.	470	1/16W	5%	RMC1/16S 471JTH	J24189021		1-	B	d4
R 1561	CHIP RES.	33k	1/16W	5%	RMC1/16S 333JTH	J24189043		1-	B	d4
R 1562	CHIP RES.	680	1/16W	5%	RMC1/16S 681JTH	J24189023		1-	B	d4
R 1563	CHIP RES.	47	1/16W	5%	RMC1/16S 470JTH	J24189009		1-	A	C4
R 1564	CHIP RES.	10k	1/16W	5%	RMC1/16S 103JTH	J24189037		1-	A	C4
R 1565	CHIP RES.	33k	1/16W	5%	RMC1/16S 333JTH	J24189043		1-	A	C4
R 1566	CHIP RES.	330	1/16W	5%	RMC1/16S 331JTH	J24189019		1-	B	d4
R 1567	CHIP RES.	100	1/16W	5%	RMC1/16S 101JTH	J24189013		1-	A	C4
R 1568	CHIP RES.	3.3k	1/16W	5%	RMC1/16S 332JTH	J24189031		1-	A	D4
R 1569	CHIP RES.	15k	1/16W	5%	RMC1/16S 153JTH	J24189039		1-	B	d4
R 1570	CHIP RES.	22k	1/16W	5%	RMC1/16S 223JTH	J24189041		1-	B	d4
R 1571	CHIP RES.	2.2k	1/16W	5%	RMC1/16S 222JTH	J24189029		1-	B	d4
R 1572	CHIP RES.	1k	1/16W	5%	RMC1/16S 102JTH	J24189025		1-	B	d4
R 1573	CHIP RES.	220	1/16W	5%	RMC1/16S 221JTH	J24189017		1-	B	d4
R 1574	CHIP RES.	1k	1/16W	5%	RMC1/16S 102JTH	J24189025		1-	B	d4
R 1575	CHIP RES.	33k	1/16W	5%	RMC1/16S 333JTH	J24189043		1-	B	d4
R 1576	CHIP RES.	100	1/16W	5%	RMC1/16S 101JTH	J24189013		1-	A	C4
R 1577	CHIP RES.	220	1/16W	5%	RMC1/16S 221JTH	J24189017		1-	A	C4
R 1578	CHIP RES.	47	1/16W	5%	RMC1/16S 470JTH	J24189009		1-	A	D4
R 1579	CHIP RES.	100k	1/16W	5%	RMC1/16S 104JTH	J24189049		1-	A	D4
R 1580	CHIP RES.	1k	1/16W	5%	RMC1/16S 102JTH	J24189025		1-	B	e4
R 1581	CHIP RES.	10k	1/16W	5%	RMC1/16S 103JTH	J24189037		1-	A	C4
R 1582	CHIP RES.	3.3k	1/16W	5%	RMC1/16S 332JTH	J24189031		1-	A	D4
R 1583	CHIP RES.	15k	1/16W	5%	RMC1/16S 153JTH	J24189039		1-	B	c4
R 1584	CHIP RES.	22k	1/16W	5%	RMC1/16S 223JTH	J24189041		1-	B	c5
R 1585	CHIP RES.	680	1/16W	5%	RMC1/16S 681JTH	J24189023		1-	B	c5
R 1586	CHIP RES.	47	1/16W	5%	RMC1/16S 470JTH	J24189009		1-	B	c5
R 1587	CHIP RES.	470	1/16W	5%	RMC1/16S 471JTH	J24189021		1-	B	c4

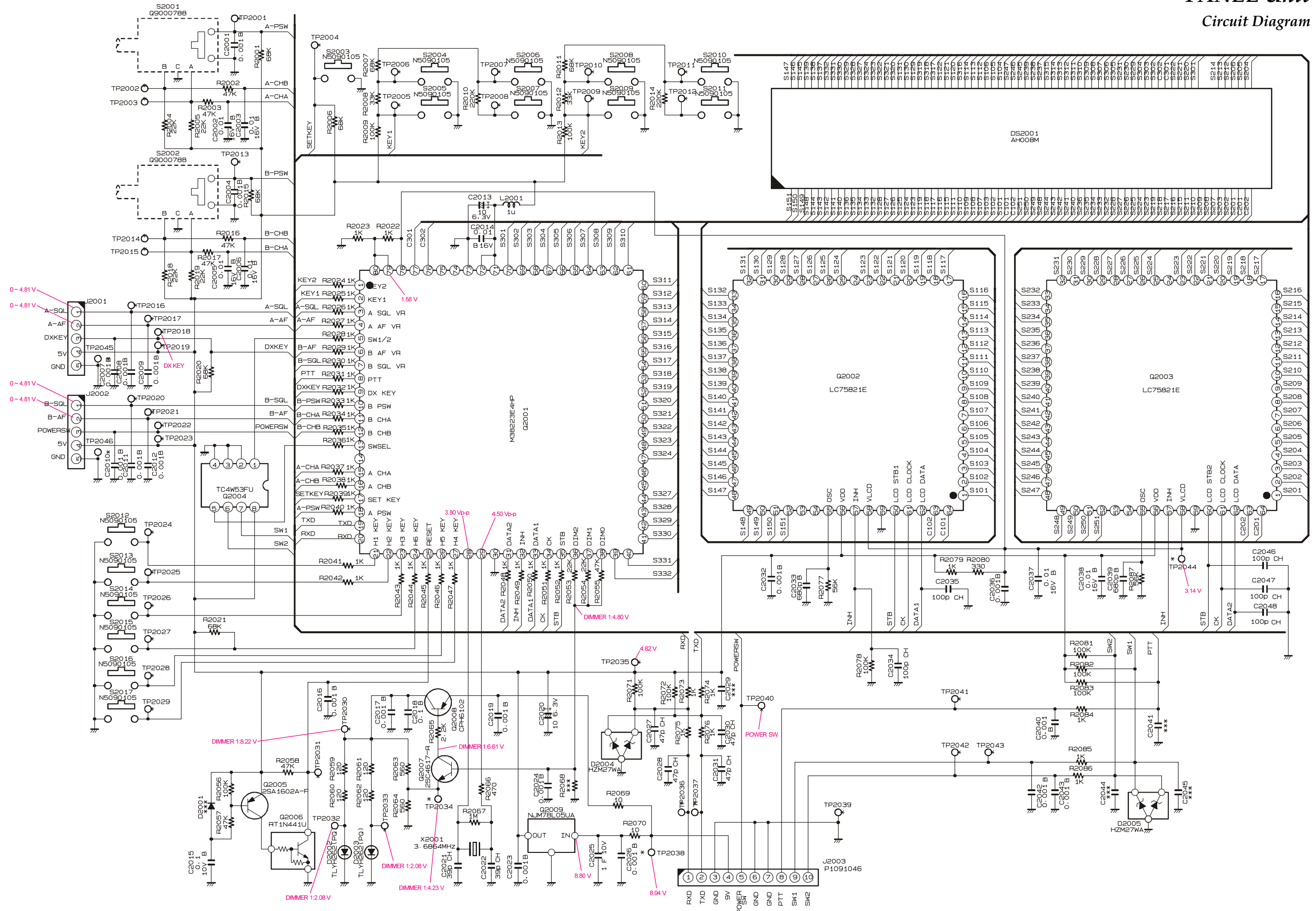
MAIN Unit

REF	DESCRIPTION	VALUE	V/W	TOL.	MFR'S DESIG	VXSTD P/N	VERS.	LOT	SIDE	LAY ADR
R 1588	CHIP RES.	33k	1/16W	5%	RMC1/16S 333JTH	J24189043		1-	B	b5
R 1589	CHIP RES.	100k	1/16W	5%	RMC1/16S 104JTH	J24189049		1-	A	E4
R 1590	CHIP RES.	2.2k	1/16W	5%	RMC1/16S 222JTH	J24189029		1-	B	c4
R 1591	CHIP RES.	15k	1/16W	5%	RMC1/16S 153JTH	J24189039		1-	B	c4
R 1592	CHIP RES.	22k	1/16W	5%	RMC1/16S 223JTH	J24189041		1-	B	c4
R 1593	CHIP RES.	1k	1/16W	5%	RMC1/16S 102JTH	J24189025		1-	B	c4
R 1594	CHIP RES.	220	1/16W	5%	RMC1/16S 221JTH	J24189017		1-	B	c4
R 1595	CHIP RES.	1k	1/16W	5%	RMC1/16S 102JTH	J24189025		1-	B	b4
R 1596	CHIP RES.	33k	1/16W	5%	RMC1/16S 333JTH	J24189043		1-	B	b4
R 1597	CHIP RES.	100	1/16W	5%	RMC1/16S 101JTH	J24189013		1-	A	E4
R 1598	CHIP RES.	220	1/16W	5%	RMC1/16S 221JTH	J24189017		1-	A	E4
R 1599	CHIP RES.	10k	1/16W	5%	RMC1/16S 103JTH	J24189037		1-	A	D5
R 1600	CHIP RES.	10k	1/16W	5%	RMC1/16S 103JTH	J24189037		1-	A	D4
R 1601	CHIP RES.	100k	1/16W	5%	RMC1/16S 104JTH	J24189049		1-	A	E5
R 1602	CHIP RES.	10	1/16W	5%	RMC1/16S 100JTH	J24189001		1-	A	C3
R 1603	CHIP RES.	1k	1/16W	5%	RMC1/16S 102JTH	J24189025		1-	B	f3
R 1604	CHIP RES.	1k	1/16W	5%	RMC1/16S 102JTH	J24189025		1-	B	c2
R 1605	CHIP RES.	330k	1/16W	5%	RMC1/16S 334JTH	J24189055		1-	B	e3
R 1606	CHIP RES.	100	1/16W	5%	RMC1/16S 101JTH	J24189013		1-	B	e3
R 1607	CHIP RES.	100	1/16W	5%	RMC1/16S 101JTH	J24189013		1-	B	e3
R 1608	CHIP RES.	3.3k	1/16W	5%	RMC1/16S 332JTH	J24189031		1-	B	e3
R 1609	CHIP RES.	6.8k	1/16W	5%	RMC1/16S 682JTH	J24189035		1-	B	e3
R 1610	CHIP RES.	33k	1/16W	5%	RMC1/16S 333JTH	J24189043		1-	B	f3
R 1611	CHIP RES.	470k	1/16W	5%	RMC1/16S 474JTH	J24189057		1-	B	f3
R 1613	CHIP RES.	47	1/16W	5%	RMC1/16S 470JTH	J24189009		1-	B	d3
R 1614	CHIP RES.	150	1/16W	5%	RMC1/16S 151JTH	J24189015		1-	B	d3
R 1615	CHIP RES.	47	1/16W	5%	RMC1/16S 470JTH	J24189009		1-	B	d3
R 1616	CHIP RES.	100	1/16W	5%	RMC1/16S 101JTH	J24189013		1-	B	d3
R 1617	CHIP RES.	0	1/16W	5%	RMC1/16S JPTH	J24189070		1-	B	d3
R 1618	CHIP RES.	1k	1/16W	5%	RMC1/16S 102JTH	J24189025		1-	B	d3
R 1619	CHIP RES.	4.7k	1/16W	5%	RMC1/16S 472JTH	J24189033		1-	B	d3
R 1620	CHIP RES.	220	1/16W	5%	RMC1/16S 221JTH	J24189017		1-	B	d3
R 1621	CHIP RES.	22k	1/16W	5%	RMC1/16S 223JTH	J24189041		1-	B	e3
R 1622	CHIP RES.	27k	1/16W	5%	RMC1/16S 273JTH	J24189042		1-	B	e3
R 1623	CHIP RES.	220	1/16W	5%	RMC1/16S 221JTH	J24189017		1-	B	d3
R 1624	CHIP RES.	220	1/16W	5%	RMC1/16S 221JTH	J24189017		1-	B	d3
R 1625	CHIP RES.	8.2k	1/16W	5%	RMC1/16S 822JTH	J24189036		1-	B	e3
R 1626	CHIP RES.	47	1/16W	5%	RMC1/16S 470JTH	J24189009		1-	B	e2
R 1627	CHIP RES.	12k	1/16W	5%	RMC1/16S 123JTH	J24189038		1-	B	d3
R 1628	CHIP RES.	220	1/16W	5%	RMC1/16S 221JTH	J24189017		1-	A	C3
R 1629	CHIP RES.	470	1/16W	5%	RMC1/16S 471JTH	J24189021		1-	A	C3
R 1630	CHIP RES.	100	1/16W	5%	RMC1/16S 101JTH	J24189013		1-	A	C3
R 1631	CHIP RES.	1k	1/16W	5%	RMC1/16S 102JTH	J24189025		1-	A	C3
R 1632	CHIP RES.	1k	1/16W	5%	RMC1/16S 102JTH	J24189025		1-	A	C2
R 1633	CHIP RES.	1k	1/16W	5%	RMC1/16S 102JTH	J24189025		1-	A	D3
R 1634	CHIP RES.	100	1/16W	5%	RMC1/16S 101JTH	J24189013		1-	A	D3
R 1635	CHIP RES.	82	1/16W	5%	RMC1/16S 820JTH	J24189012		1-	B	d3
R 1636	CHIP RES.	82	1/16W	5%	RMC1/16S 820JTH	J24189012		1-	B	d3
R 1637	CHIP RES.	220	1/2W	5%	RMC1/2 221JCTP	J24275221		1-	A	B3
R 1638	CHIP RES.	47	1/16W	5%	RMC1/16S 470JTH	J24189009		1-	B	e2
R 1639	CHIP RES.	47	1/16W	5%	RMC1/16S 470JTH	J24189009		1-	A	C2
R 1640	CHIP RES.	47	1/16W	5%	RMC1/16S 470JTH	J24189009		1-	B	e2
R 1641	CHIP RES.	820	1/2W	5%	RK73K2HTE820-OHMJ	J24279028		1-	B	e2
R 1642	CHIP RES.	820	1/2W	5%	RK73K2HTE820-OHMJ	J24279028		1-	B	d2
R 1643	CHIP RES.	470	1/2W	5%	RMC1/2 471JCTP	J24275471		1-	B	d2
R 1644	CHIP RES.	1k	1/4W	5%	RMC1/4 102JATP	J24245102		1-	A	C2
R 1647	CHIP RES.	82	1/16W	5%	RMC1/16S 820JTH	J24189012		1-	B	e1
R 1648	CHIP RES.	82	1/16W	5%	RMC1/16S 820JTH	J24189012		1-	B	e1
R 1649	CHIP RES.	22k	1/16W	5%	RMC1/16S 223JTH	J24189041		1-	B	e1
R 1650	CHIP RES.	8.2k	1/16W	5%	RMC1/16S 822JTH	J24189036		1-	B	e3
R 1651	CHIP RES.	10k	1/16W	5%	RMC1/16S 103JTH	J24189037		1-	B	b1
R 1652	CHIP RES.	10k	1/16W	5%	RMC1/16S 103JTH	J24189037		1-	B	b1
R 1653	CHIP RES.	10k	1/16W	5%	RMC1/16S 103JTH	J24189037		1-	B	b1
R 1654	CHIP RES.	33	1W	5%	RMC1 330JTE	J24305330		1-	A	F2
R 1655	CHIP RES.	33	1W	5%	RMC1 330JTE	J24305330		1-	A	E2
R 1656	CHIP RES.	33k	1/16W	5%	RMC1/16S 333JTH	J24189043		1-	B	c2
R 1657	CHIP RES.	10k	1/16W	5%	RMC1/16S 103JTH	J24189037		1-	B	a1
R 1658	CHIP RES.	100	1/16W	5%	RMC1/16S 101JTH	J24189013		1-	A	B2
R 1659	CHIP RES.	4.7k	1/16W	5%	RMC1/16S 472JTH	J24189033		1-	A	B2
R 1660	CHIP RES.	4.7k	1/16W	5%	RMC1/16S 472JTH	J24189033		1-	A	B2
R 1661	CHIP RES.	4.7k	1/16W	5%	RMC1/16S 472JTH	J24189033		1-	A	B2
R 1662	CHIP RES.	18	1/2W	5%	RMC1/2 180JTE	J24275180		1-	A	D2
R 1663	CHIP RES.	39	1W	5%	RMC1 390JTE	J24305390		1-	A	D2
R 1664	CHIP RES.	10k	1/16W	5%	RMC1/16S 103JTH	J24189037		1-	B	c2
R 1665	CHIP RES.	10k	1/16W	5%	RMC1/16S 103JTH	J24189037		1-	B	c2
R 1666	CHIP RES.	10k	1/16W	5%	RMC1/16S 103JTH	J24189037		1-	B	b2
R 1667	CHIP RES.	10k	1/16W	5%	RMC1/16S 103JTH	J24189037		1-	A	E2

REF	DESCRIPTION	VALUE	V/W	TOL.	MFR'S DESIG	VXSTD P/N	VERS.	LOT	SIDE	LAY ADR
R 1668	CHIP RES.	47	1/16W	5%	RMC1/16S 470JTH	J24189009		1-	B	b2
R 1672	CHIP RES.	0	1/16W	5%	RMC1/16S JPTH	J24189070		1-	B	b5
R 1673	CHIP RES.	1k	1/16W	5%	RMC1/16S 102JTH	J24189025		1-	B	b4
R 1677	CHIP RES.	0	1/16W	5%	RMC1/16S JPTH	J24189070		1-	B	b5
R 1678	CHIP RES.	1k	1/16W	5%	RMC1/16S 102JTH	J24189025		1-	B	b5
R 1679	CHIP RES.	47	1/16W	5%	RMC1/16S 470JTH	J24189009		1-	B	c3
R 1680	CHIP RES.	220	1/16W	5%	RMC1/16S 221JTH	J24189017		1-	A	D3
R 1681	CHIP RES.	100	1/16W	5%	RMC1/16S 101JTH	J24189013		1-	A	C3
R 1682	CHIP RES.	100	1/16W	5%	RMC1/16S 101JTH	J24189013		1-	A	C3
R 1685	CARBON FILM RES.	5.6k	1/6W	5%	RD16TPJ562 5.6K	J07225562		1-		
TH1001	THERMISTOR				TBPS1R103K440H5Q	G9090067		1-	A	C3
TH1002	THERMISTOR				TBPS1R103K440H5Q	G9090067		1-	B	d5
TH1003	THERMISTOR				TBPS1R473K475H5Q	G9090068		1-	B	d5
TH1004	THERMISTOR				TBPS1R473K475H5Q	G9090068		1-	B	c5
TH1005	THERMISTOR				TBPS1R103K440H5Q	G9090067		1-	B	c5
X 1001	XTAL CSA-310	3.6864MHz			3.6864MHZ	H0102988		1-	A	A4
X 1002	XTAL TSS-5032A	11.15MHz			11.15MHZ	H0103268		1-	B	d4
X 1003	XTAL TSS-6	11.7MHz			TSS-5032A 11.7MHZ	H0103264		1-	B	c5
XF1001	XTAL FILTER				MFT45R6 45.05MHZ	H1102351		1-	A	C4
XF1002	XTAL FILTER				MFT47R 47.25MHZ	H1102352		1-	A	E5
	SHIELD CASE VCO					RA0272500		1-		

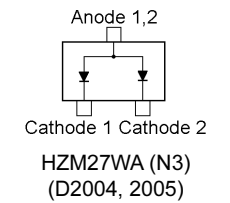
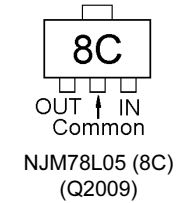
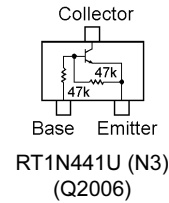
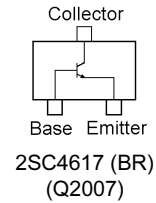
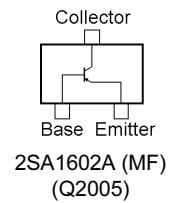
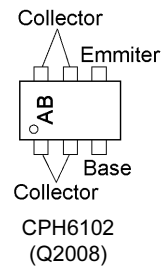
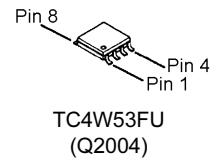
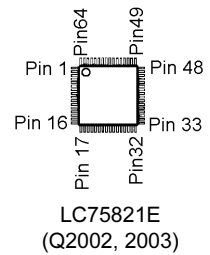
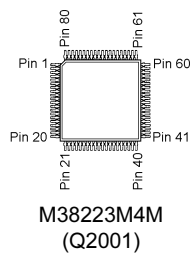
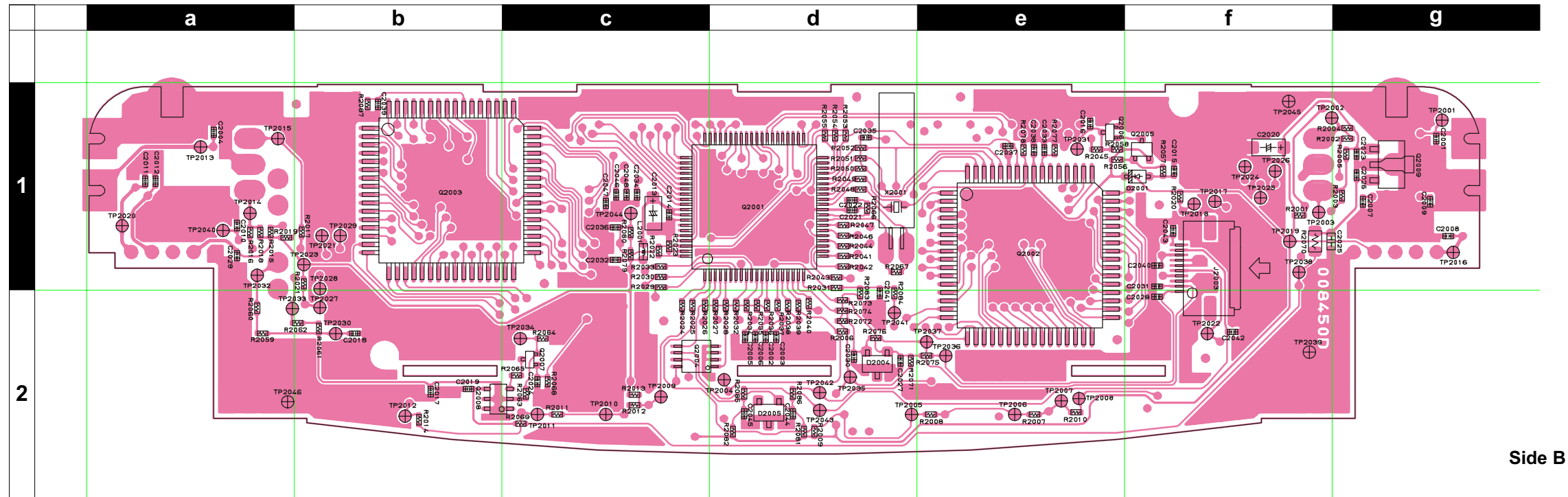
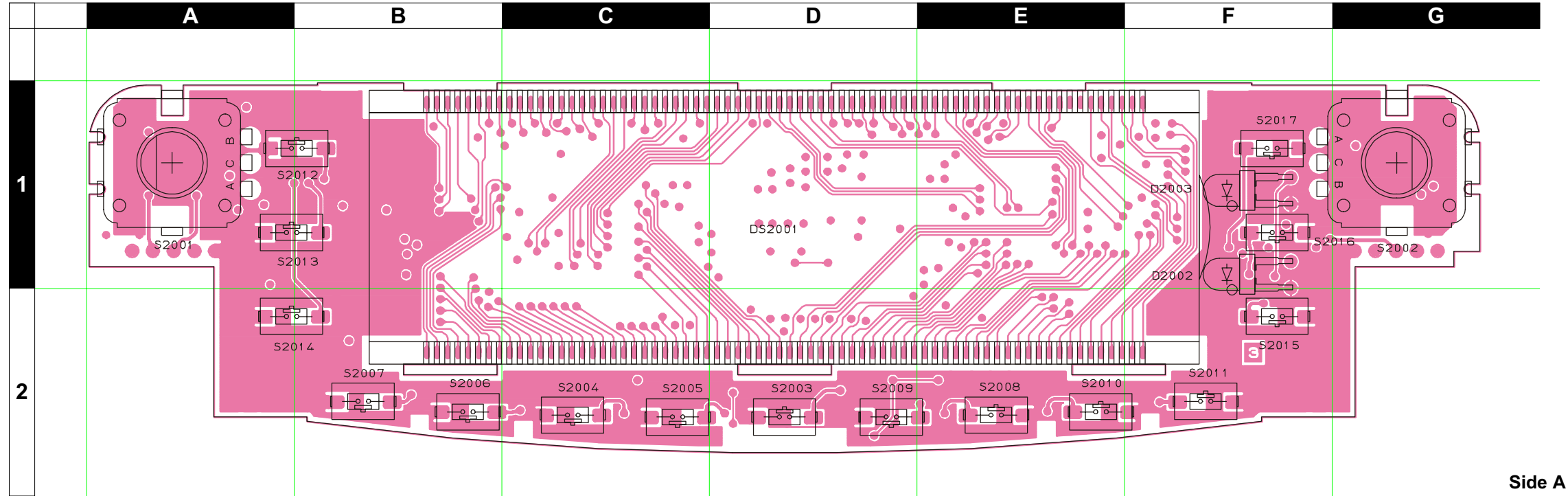
MAIN Unit

Note:



PANEL Unit

Parts Layout



Parts List

REF	DESCRIPTION	VALUE	V/W	TOL.	MFR'S DESIG	VXSTD P/N	VERS.	LOT	SIDE	LAY ADR
PCB with Components						CB2513001				
Printed Circuit Board						FR0084500				
AH008M000						1-				
C 2001	CHIP CAP.	0.001uF	50V	B	GRM36B102K50PT	K22178809		1-	B	g2
C 2002	CHIP CAP.	0.022uF	16V	B	GRM36B223K16PT	K22128806		1-	B	d2
C 2003	CHIP CAP.	0.022uF	16V	B	GRM36B223K16PT	K22128806		1-	B	d2
C 2004	CHIP CAP.	0.001uF	50V	B	GRM36B102K50PT	K22178809		1-	B	a2
C 2005	CHIP CAP.	0.022uF	16V	B	GRM36B223K16PT	K22128806		1-	B	d2
C 2006	CHIP CAP.	0.022uF	16V	B	GRM36B223K16PT	K22128806		1-	B	d2
C 2007	CHIP CAP.	0.001uF	50V	B	GRM36B102K50PT	K22178809		1-	B	g2
C 2008	CHIP CAP.	0.001uF	50V	B	GRM36B102K50PT	K22178809		1-	B	g2
C 2009	CHIP CAP.	0.001uF	50V	B	GRM36B102K50PT	K22178809		1-	B	g2
C 2010	CHIP CAP.	0.001uF	50V	B	GRM36B102K50PT	K22178809		1-	B	a2
C 2011	CHIP CAP.	0.001uF	50V	B	GRM36B102K50PT	K22178809		1-	B	a2
C 2012	CHIP CAP.	0.001uF	50V	B	GRM36B102K50PT	K22178809		1-	B	a2
C 2013	CHIP TA.CAP.	10uF	6.3V		TEMSVA0J106M-8R	K78080027		1-	B	c2
C 2014	CHIP CAP.	0.01uF	16V	B	GRM36B103K16PT	K22128804		1-	B	c2
C 2015	CHIP CAP.	0.1uF	10V	B	GRM36B104K10PT	K22108802		1-	B	f2
C 2016	CHIP CAP.	0.001uF	50V	B	GRM36B102K50PT	K22178809		1-	B	e2
C 2017	CHIP CAP.	0.001uF	50V	B	GRM36B102K50PT	K22178809		1-	B	b2
C 2018	CHIP CAP.	0.1uF	10V	B	GRM36B104K10PT	K22108802		1-	B	b2
C 2019	CHIP CAP.	0.001uF	50V	B	GRM36B102K50PT	K22178809		1-	B	b2
C 2020	CHIP TA.CAP.	10uF	6.3V		TEMSVA0J106M-8R	K78080027		1-	B	f2
C 2021	CHIP CAP.	39pF	50V	CH	GRM36CH390J50PT	K22178226		1-	B	d2
C 2022	CHIP CAP.	39pF	50V	CH	GRM36CH390J50PT	K22178226		1-	B	d2
C 2023	CHIP CAP.	0.001uF	50V	B	GRM36B102K50PT	K22178809		1-	B	g2
C 2024	CHIP CAP.	0.001uF	50V	B	GRM36B102K50PT	K22178809		1-	B	c2
C 2025	CHIP CAP.	1uF	10V	F	GRM39F105Z10PT	K22105001		1-	B	f2
C 2026	CHIP CAP.	0.001uF	50V	B	GRM36B102K50PT	K22178809		1-	B	g2
C 2027	CHIP CAP.	47pF	50V	CH	GRM36CH470J50PT	K22178228		1-	B	d2
C 2028	CHIP CAP.	47pF	50V	CH	GRM36CH470J50PT	K22178228		1-	B	f2
C 2030	CHIP CAP.	47pF	50V	CH	GRM36CH470J50PT	K22178228		1-	B	d2
C 2031	CHIP CAP.	47pF	50V	CH	GRM36CH470J50PT	K22178228		1-	B	f2
C 2032	CHIP CAP.	0.001uF	50V	B	GRM36B102K50PT	K22178809		1-	B	c2
C 2033	CHIP CAP.	680pF	50V	B	GRM36B681K50PT	K22178807		1-	B	e2
C 2034	CHIP CAP.	100pF	50V	CH	GRM36CH101J50PT	K22178236		1-	B	c2
C 2035	CHIP CAP.	100pF	50V	CH	GRM36CH101J50PT	K22178236		1-	B	d2
C 2036	CHIP CAP.	0.001uF	50V	B	GRM36B102K50PT	K22178809		1-	B	c2
C 2037	CHIP CAP.	0.01uF	16V	B	GRM36B103K16PT	K22128804		1-	B	e2
C 2038	CHIP CAP.	0.01uF	16V	B	GRM36B103K16PT	K22128804		1-	B	e2
C 2039	CHIP CAP.	680pF	50V	B	GRM36B681K50PT	K22178807		1-	B	b2
C 2040	CHIP CAP.	0.001uF	50V	B	GRM36B102K50PT	K22178809		1-	B	f2
C 2042	CHIP CAP.	0.001uF	50V	B	GRM36B102K50PT	K22178809		1-	B	f2
C 2043	CHIP CAP.	0.001uF	50V	B	GRM36B102K50PT	K22178809		1-	B	f2
C 2046	CHIP CAP.	100pF	50V	CH	GRM36CH101J50PT	K22178236		1-	B	c2
C 2047	CHIP CAP.	100pF	50V	CH	GRM36CH101J50PT	K22178236		1-	B	c2
C 2048	CHIP CAP.	100pF	50V	CH	GRM36CH101J50PT	K22178236		1-	B	c2
D 2002	LED				TLYH262(PQ)	G2090777		1-	A	F2
D 2003	LED				TLYH262(PQ)	G2090777		1-	A	F2
D 2004	DIODE				HZM27WA-TR	G2070530		1-	B	d2
D 2005	DIODE				HZM27WA-TR	G2070530		1-	B	d2
D 2006	DIODE				UDZS TE-17 6.8B	G2070888		1-	B	f2
D 2007	DIODE				UDZS TE-17 6.8B	G2070888		1-	B	f2
DS2001	LCD				050442-2	G6090147A		1-	A	D2
J 2003	CONNECTOR				IL-FHR-10S-HF-E3000	P1091046		1-	B	f2
L 2001	M.RFC	1uH			LK1608 1R0K-T	L1690687		1-	B	c2
Q 2001	IC				M38223M4M-363HP	G1093816		1-	B	d2
Q 2002	IC				LC75821E	G1092191		1-	B	e2
Q 2003	IC				LC75821E	G1092191		1-	B	b2
Q 2004	IC				TC4W53FU TE12L	G1091675		1-	B	c2
Q 2005	TRANSISTOR				2SA1602A-T11-1F	G3116028F		1-	B	f2
Q 2006	TRANSISTOR				RT1N441U-T11-1	G3070247		1-	B	e2
Q 2007	TRANSISTOR				2SC4617 TL R	G3346178R		1-	B	c2
Q 2008	TRANSISTOR				CPH6102-TL	G3070223		1-	B	b2
Q 2009	IC				NJM78L05UA TE1	G1091325		1-	B	g2
R 2001	CHIP RES.	68k	1/16W	5%	RMC1/16S 683JTH	J24189047		1-	B	f2
R 2002	CHIP RES.	47k	1/16W	5%	RMC1/16S 473JTH	J24189045		1-	B	g2
R 2003	CHIP RES.	47k	1/16W	5%	RMC1/16S 473JTH	J24189045		1-	B	g2
R 2004	CHIP RES.	22k	1/16W	5%	RMC1/16S 223JTH	J24189041		1-	B	g2
R 2005	CHIP RES.	22k	1/16W	5%	RMC1/16S 223JTH	J24189041		1-	B	g2
R 2006	CHIP RES.	68k	1/16W	5%	RMC1/16S 683JTH	J24189047		1-	B	d2
R 2007	CHIP RES.	68k	1/16W	5%	RMC1/16S 683JTH	J24189047		1-	B	e2
R 2008	CHIP RES.	33k	1/16W	5%	RMC1/16S 333JTH	J24189043		1-	B	e2
R 2009	CHIP RES.	100k	1/16W	5%	RMC1/16S 104JTH	J24189049		1-	B	d2
R 2010	CHIP RES.	220k	1/16W	5%	RMC1/16S 224JTH	J24189053		1-	B	e2
R 2011	CHIP RES.	68k	1/16W	5%	RMC1/16S 683JTH	J24189047		1-	B	c2
R 2012	CHIP RES.	33k	1/16W	5%	RMC1/16S 333JTH	J24189043		1-	B	c2
R 2013	CHIP RES.	100k	1/16W	5%	RMC1/16S 104JTH	J24189049		1-	B	c2

PANEL Unit

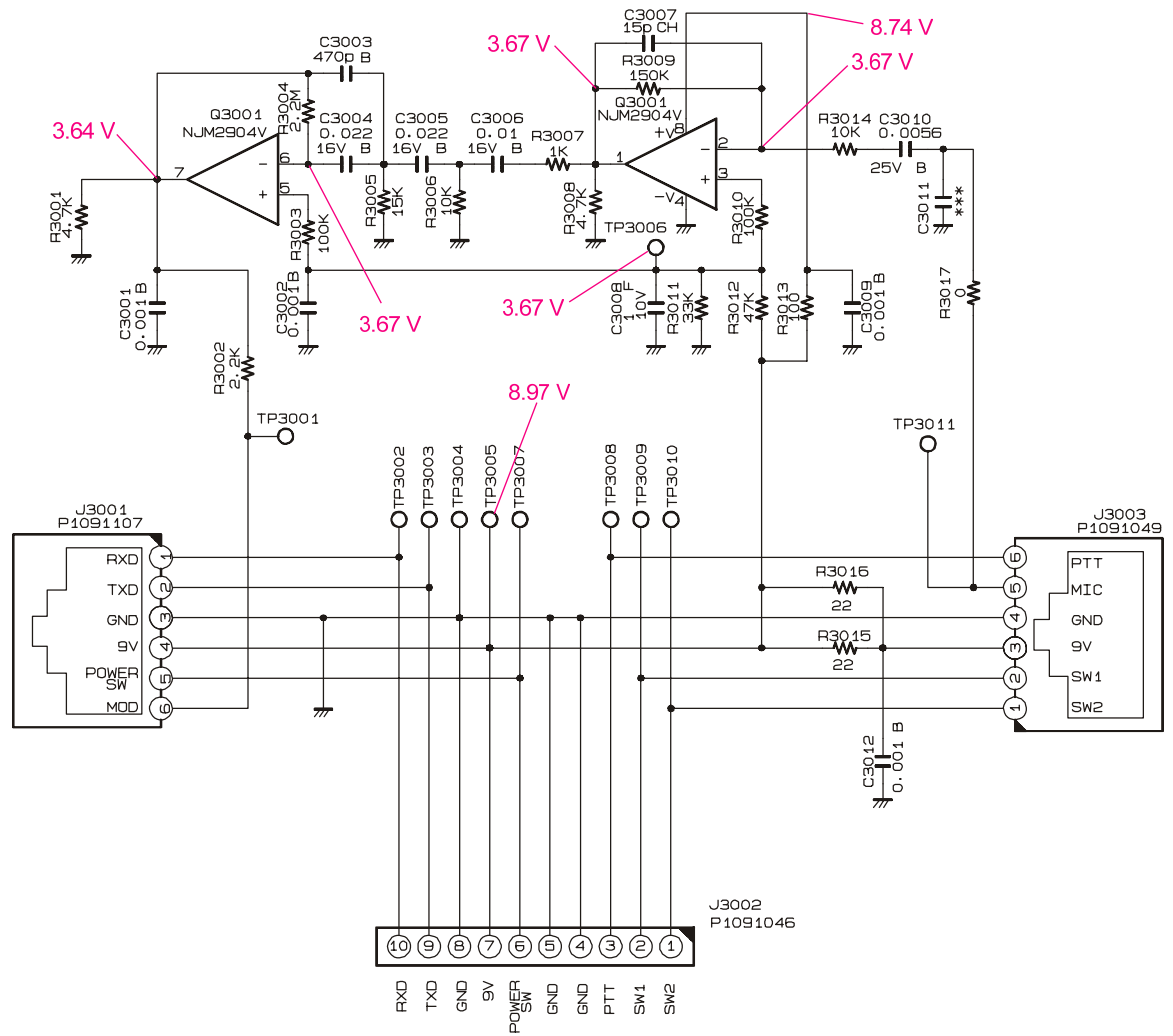
REF	DESCRIPTION	VALUE	V/W	TOL.	MFR'S DESIG	VXSTD P/N	VERS.	LOT	SIDE	LAY ADR
R 2014	CHIP RES.	220k	1/16W	5%	RMC1/16S 224JTH	J24189053		1-	B	b2
R 2015	CHIP RES.	68k	1/16W	5%	RMC1/16S 683JTH	J24189047		1-	B	a2
R 2016	CHIP RES.	47k	1/16W	5%	RMC1/16S 473JTH	J24189045		1-	B	a2
R 2017	CHIP RES.	47k	1/16W	5%	RMC1/16S 473JTH	J24189045		1-	B	b2
R 2018	CHIP RES.	22k	1/16W	5%	RMC1/16S 223JTH	J24189041		1-	B	a2
R 2019	CHIP RES.	22k	1/16W	5%	RMC1/16S 223JTH	J24189041		1-	B	a2
R 2020	CHIP RES.	68k	1/16W	5%	RMC1/16S 683JTH	J24189047		1-	B	f2
R 2021	CHIP RES.	68k	1/16W	5%	RMC1/16S 683JTH	J24189047		1-	B	b2
R 2022	CHIP RES.	1k	1/16W	5%	RMC1/16S 102JTH	J24189025		1-	B	c2
R 2023	CHIP RES.	1k	1/16W	5%	RMC1/16S 102JTH	J24189025		1-	B	c2
R 2024	CHIP RES.	1k	1/16W	5%	RMC1/16S 102JTH	J24189025		1-	B	c2
R 2025	CHIP RES.	1k	1/16W	5%	RMC1/16S 102JTH	J24189025		1-	B	c2
R 2026	CHIP RES.	1k	1/16W	5%	RMC1/16S 102JTH	J24189025		1-	B	c2
R 2027	CHIP RES.	1k	1/16W	5%	RMC1/16S 102JTH	J24189025		1-	B	d2
R 2028	CHIP RES.	1k	1/16W	5%	RMC1/16S 102JTH	J24189025		1-	B	d2
R 2029	CHIP RES.	1k	1/16W	5%	RMC1/16S 102JTH	J24189025		1-	B	c2
R 2030	CHIP RES.	1k	1/16W	5%	RMC1/16S 102JTH	J24189025		1-	B	c2
R 2031	CHIP RES.	1k	1/16W	5%	RMC1/16S 102JTH	J24189025		1-	B	d2
R 2032	CHIP RES.	1k	1/16W	5%	RMC1/16S 102JTH	J24189025		1-	B	d2
R 2033	CHIP RES.	1k	1/16W	5%	RMC1/16S 102JTH	J24189025		1-	B	c2
R 2034	CHIP RES.	1k	1/16W	5%	RMC1/16S 102JTH	J24189025		1-	B	d2
R 2035	CHIP RES.	1k	1/16W	5%	RMC1/16S 102JTH	J24189025		1-	B	d2
R 2036	CHIP RES.	1k	1/16W	5%	RMC1/16S 102JTH	J24189025		1-	B	d2
R 2037	CHIP RES.	1k	1/16W	5%	RMC1/16S 102JTH	J24189025		1-	B	d2
R 2038	CHIP RES.	1k	1/16W	5%	RMC1/16S 102JTH	J24189025		1-	B	d2
R 2039	CHIP RES.	1k	1/16W	5%	RMC1/16S 102JTH	J24189025		1-	B	d2
R 2040	CHIP RES.	1k	1/16W	5%	RMC1/16S 102JTH	J24189025		1-	B	d2
R 2041	CHIP RES.	1k	1/16W	5%	RMC1/16S 102JTH	J24189025		1-	B	d2
R 2042	CHIP RES.	1k	1/16W	5%	RMC1/16S 102JTH	J24189025		1-	B	d2
R 2043	CHIP RES.	1k	1/16W	5%	RMC1/16S 102JTH	J24189025		1-	B	d2
R 2044	CHIP RES.	1k	1/16W	5%	RMC1/16S 102JTH	J24189025		1-	B	d2
R 2045	CHIP RES.	1k	1/16W	5%	RMC1/16S 102JTH	J24189025		1-	B	e2
R 2046	CHIP RES.	1k	1/16W	5%	RMC1/16S 102JTH	J24189025		1-	B	d2
R 2047	CHIP RES.	1k	1/16W	5%	RMC1/16S 102JTH	J24189025		1-	B	d2
R 2048	CHIP RES.	1k	1/16W	5%	RMC1/16S 102JTH	J24189025		1-	B	d2
R 2049	CHIP RES.	1k	1/16W	5%	RMC1/16S 102JTH	J24189025		1-	B	d2
R 2050	CHIP RES.	1k	1/16W	5%	RMC1/16S 102JTH	J24189025		1-	B	d2
R 2051	CHIP RES.	1k	1/16W	5%	RMC1/16S 102JTH	J24189025		1-	B	d2
R 2052	CHIP RES.	1k	1/16W	5%	RMC1/16S 102JTH	J24189025		1-	B	d2
R 2053	CHIP RES.	22k	1/16W	5%	RMC1/16S 223JTH	J24189041		1-	B	d2
R 2054	CHIP RES.	22k	1/16W	5%	RMC1/16S 223JTH	J24189041		1-	B	d2
R 2055	CHIP RES.	47k	1/16W	5%	RMC1/16S 473JTH	J24189045		1-	B	d2
R 2056	CHIP RES.	100k	1/16W	5%	RMC1/16S 104JTH	J24189049		1-	B	e2
R 2057	CHIP RES.	47k	1/16W	5%	RMC1/16S 473JTH	J24189045		1-	B	f2
R 2058	CHIP RES.	47k	1/16W	5%	RMC1/16S 473JTH	J24189045		1-	B	e2
R 2059	CHIP RES.	120	1/16W	5%	RMC1/16S 121JTH	J24189014		1-	B	a2
R 2060	CHIP RES.	120	1/16W	5%	RMC1/16S 121JTH	J24189014		1-	B	a2
R 2061	CHIP RES.	120	1/16W	5%	RMC1/16S 121JTH	J24189014		1-	B	b2
R 2062	CHIP RES.	120	1/16W	5%	RMC1/16S 121JTH	J24189014		1-	B	b2
R 2063	CHIP RES.	560	1/16W	5%	RMC1/16S 561JTH	J24189022		1-	B	c2
R 2064	CHIP RES.	560	1/16W	5%	RMC1/16S 561JTH	J24189022		1-	B	c2
R 2065	CHIP RES.	2.2k	1/16W	5%	RMC1/16S 222JTH	J24189029		1-	B	c2
R 2066	CHIP RES.	470	1/16W	5%	RMC1/16S 471JTH	J24189021		1-	B	d2
R 2067	CHIP RES.	1M	1/16W	5%	RMC1/16S 105JTH	J24189061		1-	B	d2
R 2069	CHIP RES.	10	1/16W	5%	RMC1/16S 100JTH	J24189001		1-	B	c2
R 2070	CHIP RES.	10	1/10W	5%	RMC1/10T 100J	J24205100		1-	B	f2
R 2071	CHIP RES.	100k	1/16W	5%	RMC1/16S 104JTH	J24189049		1-	B	d2
R 2072	CHIP RES.	100k	1/16W	5%	RMC1/16S 104JTH	J24189049		1-	B	d2
R 2073	CHIP RES.	1k	1/16W	5%	RMC1/16S 102JTH	J24189025		1-	B	d2
R 2074	CHIP RES.	1k	1/16W	5%	RMC1/16S 102JTH	J24189025		1-	B	d2
R 2075	CHIP RES.	1k	1/16W	5%	RMC1/16S 102JTH	J24189025		1-	B	e2
R 2076	CHIP RES.	1k	1/16W	5%	RMC1/16S 102JTH	J24189025		1-	B	d2
R 2077	CHIP RES.	56k	1/16W	5%	RMC1/16S 563JTH	J24189046		1-	B	e2
R 2078	CHIP RES.	100k	1/16W	5%	RMC1/16S 104JTH	J24189049		1-	B	e2
R 2079	CHIP RES.	330	1/16W	5%	RMC1/16S 331JTH	J24189019		1-	B	c2
R 2080	CHIP RES.	330	1/16W	5%	RMC1/16S 331JTH	J24189019		1-	B	c2
R 2081	CHIP RES.	100k	1/16W	5%	RMC1/16S 104JTH	J24189049		1-	B	d2
R 2082	CHIP RES.	100k	1/16W	5%	RMC1/16S 104JTH	J24189049		1-	B	d2
R 2083	CHIP RES.	100k	1/16W	5%	RMC1/16S 104JTH	J24189049		1-	B	d2
R 2084	CHIP RES.	1k	1/16W	5%	RMC1/16S 102JTH	J24189025		1-	B	d2
R 2085	CHIP RES.	1k	1/16W	5%	RMC1/16S 102JTH	J24189025		1-	B	d2
R 2086	CHIP RES.	1k	1/16W	5%	RMC1/16S 102JTH	J24189025		1-	B	d2
R 2087	CHIP RES.	56k	1/16W	5%	RMC1/16S 563JTH	J24189046		1-	B	b2
S 2001	ROTARY ENCODER				EC12E2424404	Q9000788		1-	A	A2
S 2002	ROTARY ENCODER				EC12E2424404	Q9000788		1-	A	G2
S 2003	TACT SWITCH				SKQMAL	N5090105		1-	A	D2
S 2004	TACT SWITCH				SKQMAL	N5090105		1-	A	C2

REF	DESCRIPTION	VALUE	V/W	TOL.	MFR'S DESIG	VXSTD P/N	VERS.	LOT	SIDE	LAY ADR
S 2005	TACT SWITCH				SKQMAL	N5090105		1-	A	C2
S 2006	TACT SWITCH				SKQMAL	N5090105		1-	A	B2
S 2007	TACT SWITCH				SKQMAL	N5090105		1-	A	B2
S 2008	TACT SWITCH				SKQMAL	N5090105		1-	A	E2
S 2009	TACT SWITCH				SKQMAL	N5090105		1-	A	D2
S 2010	TACT SWITCH				SKQMAL	N5090105		1-	A	E2
S 2011	TACT SWITCH				SKQMAL	N5090105		1-	A	F2
S 2012	TACT SWITCH				SKQMAL	N5090105		1-	A	B2
S 2013	TACT SWITCH				SKQMAL	N5090105		1-	A	A2
S 2014	TACT SWITCH				SKQMAL	N5090105		1-	A	A2
S 2015	TACT SWITCH				SKQMAL	N5090105		1-	A	F2
S 2016	TACT SWITCH				SKQMAL	N5090105		1-	A	F2
S 2017	TACT SWITCH				SKQMAL	N5090105		1-	A	F2
X 2001	XTAL CSA-310	3.6864MHz			3.6864MHZ	H0102988		1-	B	d2

PANEL Unit

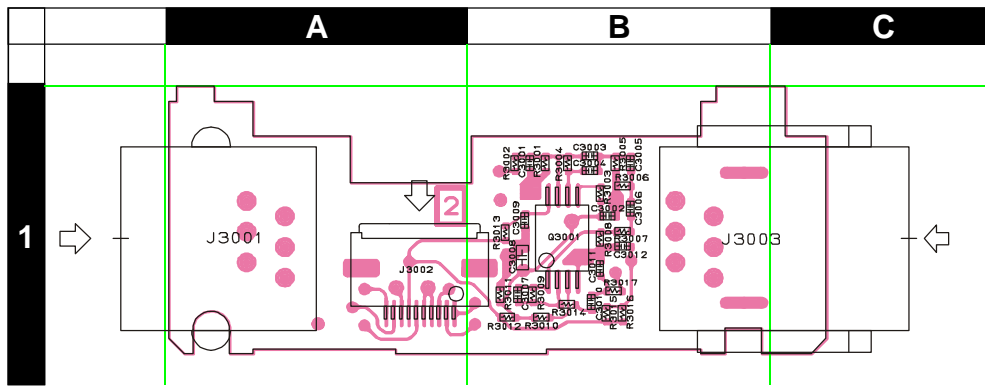
Note:

Circuit Diagram

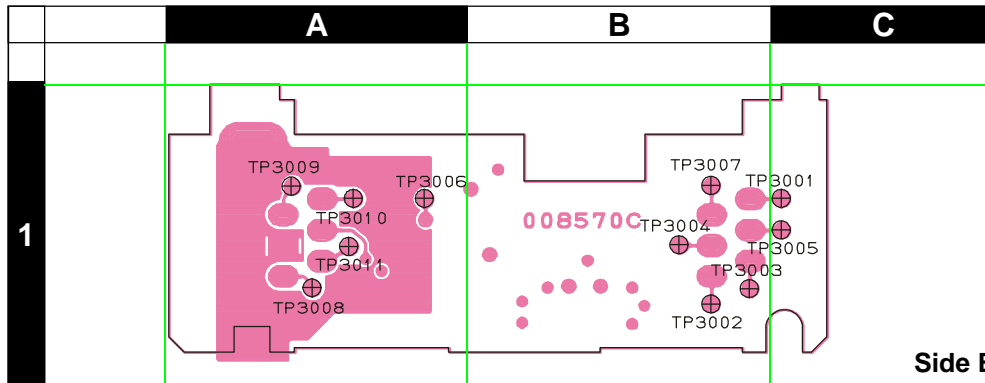


PANEL-SUB Unit

Parts Layout



Side A

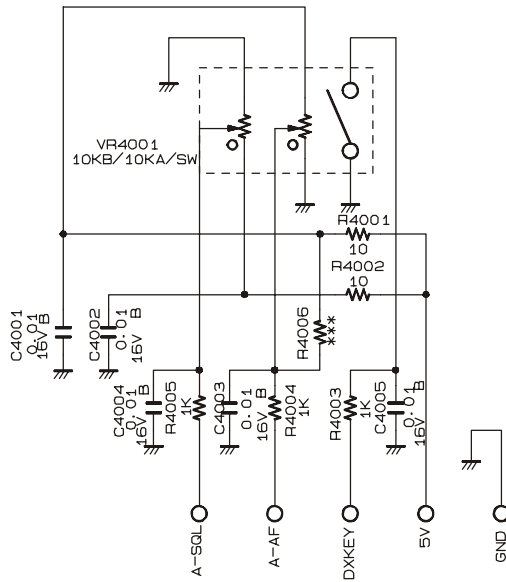


Side B

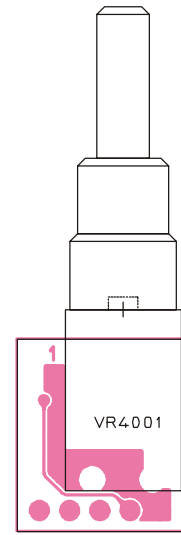
Parts List

REF	DESCRIPTION	VALUE	V/W	TOL.	MFR'S DESIG	VXSTD P/N	VERS.	LOT	SIDE	LAY ADR
PCB with Components						CB2514002	DST: USA			
						CB2514003	DST: EXP			
						CB2514004	DST: AUS			
Printed Circuit Board					AH008M000	FR0085700		1-		
C 3001	CHIP CAP.	0.001uF	50V	B	GRM36B102K50PT	K22178809		1-	A	B1
C 3002	CHIP CAP.	0.001uF	50V	B	GRM36B102K50PT	K22178809		1-	A	B1
C 3003	CHIP CAP.	470pF	50V	B	GRM36B471K50PT	K22178805		1-	A	B1
C 3004	CHIP CAP.	0.022uF	16V	B	GRM36B223K16PT	K22128806		1-	A	B1
C 3005	CHIP CAP.	0.022uF	16V	B	GRM36B223K16PT	K22128806		1-	A	B1
C 3006	CHIP CAP.	0.01uF	16V	B	GRM36B103K16PT	K22128804		1-	A	B1
C 3007	CHIP CAP.	15pF	50V	CH	GRM36CH150J50PT	K22178216		1-	A	B1
C 3008	CHIP CAP.	1uF	10V	F	GRM39F105Z10PT	K22105001		1-	A	B1
C 3009	CHIP CAP.	0.001uF	50V	B	GRM36B102K50PT	K22178809		1-	A	B1
C 3010	CHIP CAP.	0.0056uF	25V	B	GRM36B562K50PT	K22148802		1-	A	B1
C 3012	CHIP CAP.	0.001uF	50V	B	GRM36B102K50PT	K22178809		1-	A	B1
J 3001	CONNECTOR				NTC-623PCBL6-B	P1091107		1-	A	A1
J 3002	CONNECTOR				IL-FHR-10S-HF-E3000	P1091046		1-	A	A1
J 3003	CONNECTOR				MJ-66J-RD315K	P1091049		1-	A	C1
Q 3001	IC				NJM2904V-TE1	G1091677		1-	A	B1
R 3001	CHIP RES.	4.7k	1/16W	5%	RMC1/16S 472JTH	J24189033		1-	A	B1
R 3002	CHIP RES.	2.2k	1/16W	5%	RMC1/16S 222JTH	J24189029		1-	A	B1
R 3003	CHIP RES.	100k	1/16W	5%	RMC1/16S 104JTH	J24189049		1-	A	B1
R 3004	CHIP RES.	2.2M	1/16W	5%	RMC1/16S 225JTH	J24189065		1-	A	B1
R 3005	CHIP RES.	15k	1/16W	5%	RMC1/16S 153JTH	J24189039		1-	A	B1
R 3006	CHIP RES.	10k	1/16W	5%	RMC1/16S 103JTH	J24189037		1-	A	B1
R 3007	CHIP RES.	1k	1/16W	5%	RMC1/16S 102JTH	J24189025		1-	A	B1
R 3008	CHIP RES.	4.7k	1/16W	5%	RMC1/16S 472JTH	J24189033		1-	A	B1
R 3009	CHIP RES.	150k	1/16W	5%	RMC1/16S 154JTH	J24189051		1-	A	B1
R 3010	CHIP RES.	100k	1/16W	5%	RMC1/16S 104JTH	J24189049		1-	A	B1
R 3011	CHIP RES.	33k	1/16W	5%	RMC1/16S 333JTH	J24189043		1-	A	B1
R 3012	CHIP RES.	47k	1/16W	5%	RMC1/16S 473JTH	J24189045		1-	A	B1
R 3013	CHIP RES.	100	1/16W	5%	RMC1/16S 101JTH	J24189013		1-	A	B1
R 3014	CHIP RES.	10k	1/16W	5%	RMC1/16S 103JTH	J24189037		1-	A	B1
R 3015	CHIP RES.	22	1/16W	5%	RMC1/16S 220JTH	J24189005		1-	A	B1
R 3016	CHIP RES.	22	1/16W	5%	RMC1/16S 220JTH	J24189005		1-	A	B1
R 3017	CHIP RES.	0	1/16W	5%	RMC1/16S JPTH	J24189070		1-	A	B1

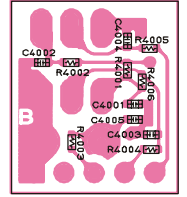
Circuit Diagram



Parts Layout



Side A



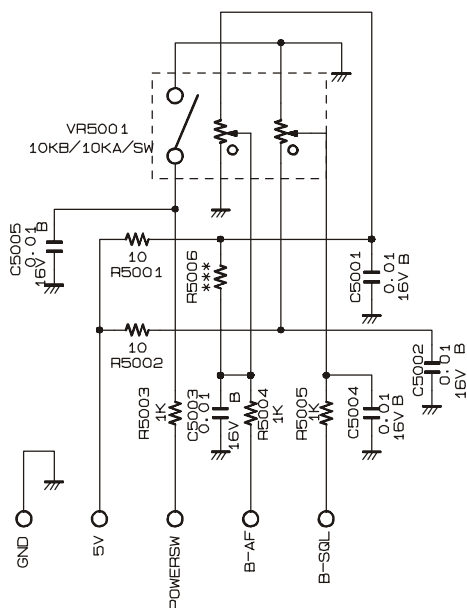
Side B

Parts List

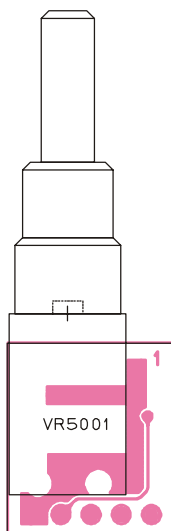
REF	DESCRIPTION	VALUE	V/W	TOL.	MFR'S DESIG	VXSTD P/N	VERS.	LOT	SIDE	LAY ADR
PCB with Components						CB2515001				
Printed Circuit Board					AH018M000	FR0085800		1-		
C 4001	CHIP CAP.	0.01uF	16V	B	GRM36B103K16PT	K22128804		1-	B	a1
C 4002	CHIP CAP.	0.01uF	16V	B	GRM36B103K16PT	K22128804		1-	B	a1
C 4003	CHIP CAP.	0.01uF	16V	B	GRM36B103K16PT	K22128804		1-	B	a1
C 4004	CHIP CAP.	0.01uF	16V	B	GRM36B103K16PT	K22128804		1-	B	a1
C 4005	CHIP CAP.	0.01uF	16V	B	GRM36B103K16PT	K22128804		1-	B	a1
P 4000	WIRE ASSY				AH008M	T9206998		1-		
R 4001	CHIP RES.	10	1/16W	5%	RMC1/16S 100JTH	J24189001		1-	B	a1
R 4002	CHIP RES.	10	1/16W	5%	RMC1/16S 100JTH	J24189001		1-	B	a1
R 4003	CHIP RES.	1k	1/16W	5%	RMC1/16S 102JTH	J24189025		1-	B	a1
R 4004	CHIP RES.	1k	1/16W	5%	RMC1/16S 102JTH	J24189025		1-	B	a1
R 4005	CHIP RES.	1k	1/16W	5%	RMC1/16S 102JTH	J24189025		1-	B	a1
R 4006	CHIP RES.	22k	1/16W	5%	RMC1/16S 223JTH	J24189041		1	B	a1
R 4006	CHIP RES.	2.2k	1/16W	5%	RMC1/16S 222JTH	J24189029		2-	B	a1
VR4001	POT.				TP76D00A 10KB/10KB/SW	J62800140		1-	A	A1

VR-R Unit

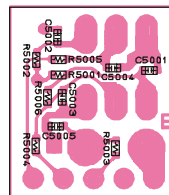
Circuit Diagram



Parts Layout



Side A



Side B

Parts List

REF	DESCRIPTION	VALUE	V/W	TOL.	MFR'S DESIG	VXSTD P/N	VERS.	LOT	SIDE	LAY ADR
PCB with Components						CB2516001				
Printed Circuit Board						AH008M000	FR0085900	1-		
C 5001	CHIP CAP.	0.01uF	16V	B	GRM36B103K16PT	K22128804		1-	B	a1
C 5002	CHIP CAP.	0.01uF	16V	B	GRM36B103K16PT	K22128804		1-	B	a1
C 5003	CHIP CAP.	0.01uF	16V	B	GRM36B103K16PT	K22128804		1-	B	a1
C 5004	CHIP CAP.	0.01uF	16V	B	GRM36B103K16PT	K22128804		1-	B	a1
C 5005	CHIP CAP.	0.01uF	16V	B	GRM36B103K16PT	K22128804		1-	B	a1
P 5000	WIRE ASSY				AH008M	T9206998		1-		
R 5001	CHIP RES.	10	1/16W	5%	RMC1/16S 100JTH	J24189001		1-	B	a1
R 5002	CHIP RES.	10	1/16W	5%	RMC1/16S 100JTH	J24189001		1-	B	a1
R 5003	CHIP RES.	1k	1/16W	5%	RMC1/16S 102JTH	J24189025		1-	B	a1
R 5004	CHIP RES.	1k	1/16W	5%	RMC1/16S 102JTH	J24189025		1-	B	a1
R 5005	CHIP RES.	1k	1/16W	5%	RMC1/16S 102JTH	J24189025		1-	B	a1
VR5001	POT.				TP76D00A 10KB/10KB/SW	J62800140		1-	A	A1



Copyright 2003
VERTEX STANDARD CO., LTD.
All rights reserved.

No portion of this manual
may be reproduced
without the permission of
VERTEX STANDARD CO., LTD.